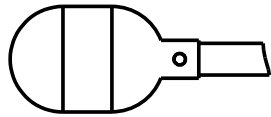
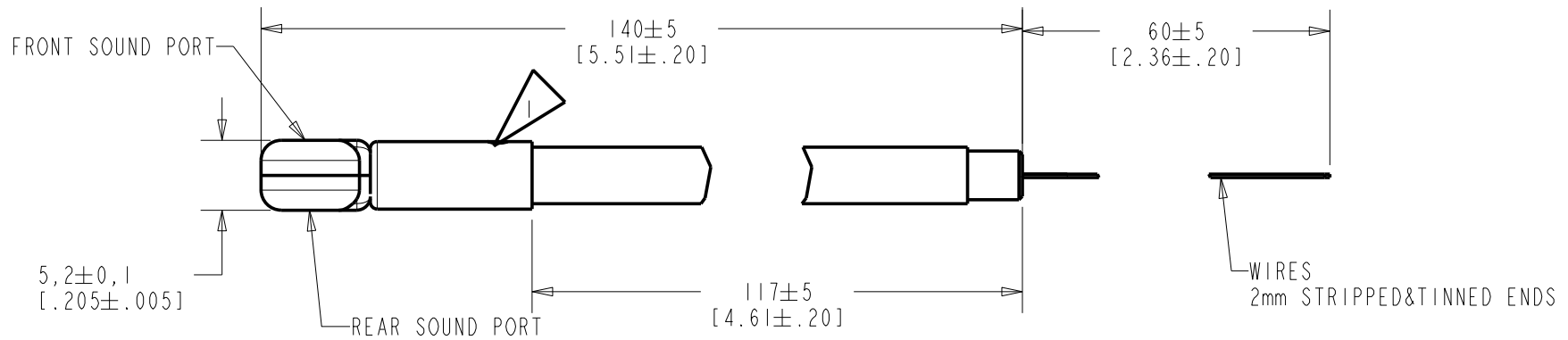
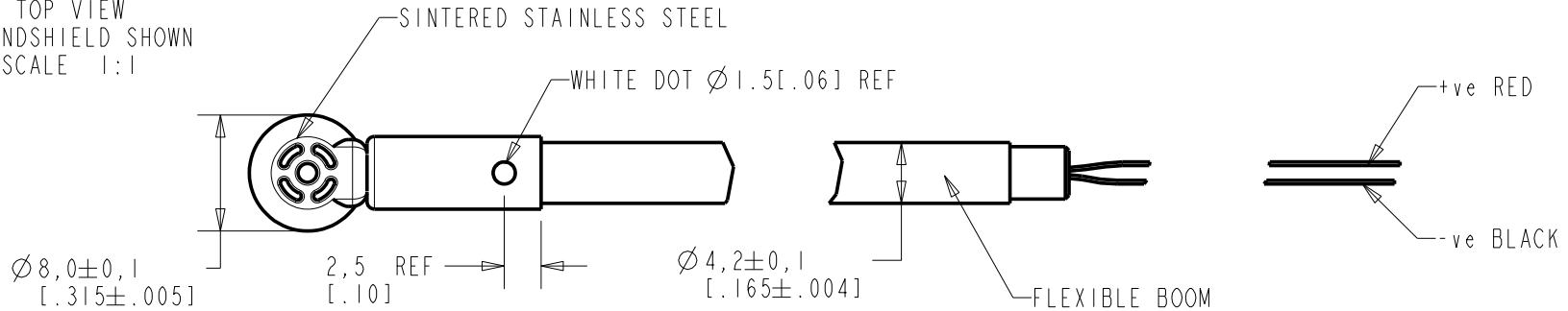


**FB-DE-30290-000**  
SHT 1.1

THE FRONT SOUND PORT IS ADJACENT TO THE MODEL NUMBER IDENTIFICATION.



TOP VIEW  
W/WINDSHIELD SHOWN  
SCALE 1:1



| WIRE COLOR |        |       | WEIGHT<br>GRAMS |
|------------|--------|-------|-----------------|
| +ve        | OUTPUT | -ve   |                 |
| RED        | -      | BLACK | t.b.d.          |

DIMENSIONS IN MILLIMETERS [INCHES]

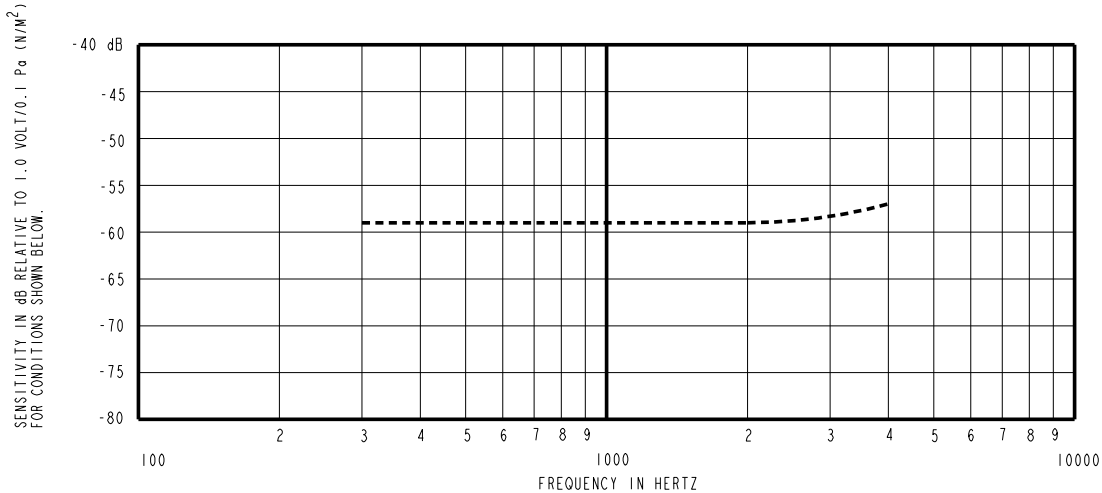
| Revision | C.O. #    | Implementation Date | RELEASE LEVEL | REVISION |
|----------|-----------|---------------------|---------------|----------|
| B        | C10107744 | 8-1-08              | Active        | B        |
| A        | C10107378 | 6-3-08              |               |          |

|                        |             |              |
|------------------------|-------------|--------------|
| SCALE: 2:1             | DR. BY TT   | DATE 6-3-08  |
| DO NOT SCALE DRAWING   | CK. BY GJP  | DATE 6-30-08 |
| TITLE: BOOM MICROPHONE | APP. BY GJP | DATE 6-30-08 |
| OUTLINE DRAWING        |             | Rev: B       |

**KNOWLES ELECTRONICS**  
ITASCA, ILLINOIS U.S.A.

FB-DE-30290-000

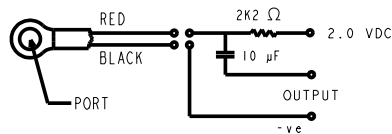
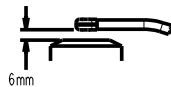
SHT 1.1



| FREQUENCY | SENSITIVITY |       |       | DEVICE CONFORMITY            |      |
|-----------|-------------|-------|-------|------------------------------|------|
|           | MIN.        | NOM.  | MAX.  | RANGE OF DEVIATION FROM 1KHZ |      |
| 300       | ---         | -59.0 | ---   | -3.0                         | +3.0 |
| 1000      | -62.0       | -59.0 | -56.0 | -0.0                         | +0.0 |
| 4000      | ---         | -57.0 | ---   | -3.0                         | +3.0 |

NOTES:

- MICROPHONE TO BE FUNCTIONAL WITH 10 VDC SUPPLY.
- SENSITIVITY VALUES INDICATED ON THIS SPECIFICATION ARE VALID AT 50% HUMIDITY.
- TEST CONDITIONS:  
HEAD OF BOOM EXPOSED TO 74 dB SPL SWEPT  
SOUND FIELD AT 6mm FROM VOICE APERTURE.  
ARTIFICIAL VOICE:  
B & K 4227 MOUTH SIMULATOR.
- FOR MICROPHONE CAPSULE SPEC. SEE MB6022NSC-0C.



LEAD IDENTIFICATION  
& TEST CIRCUIT

| Revision | C.O. #    | Implementation Date | RELEASE LEVEL | REVISION |
|----------|-----------|---------------------|---------------|----------|
| B        | C10107744 | 8-1-08              | Active        | B        |
| A        | C10107378 | 6-3-08              |               |          |

**KNOWLES ELECTRONICS**  
ITASCA, ILLINOIS U.S.A.

WHEN TEST LIMITS ARE USED TO ESTABLISH INCOMING INSPECTION ACCEPTANCE/REJECTION CRITERIA, CORRELATION OF TEST EQUIPMENT WITH KNOWLES IS ALSO REQUIRED FOR ELIMINATION OF EQUIPMENT AND TEST METHOD VARIATION

TITLE: **BOOM MICROPHONE** **FB-DE-30290-000**  
PERFORMANCE SPECIFICATION **SHT 2.1**

| DR. BY  | DATE    |
|---------|---------|
| TT      | 6-3-08  |
| CK. BY  | DATE    |
| GJP     | 6-30-08 |
| APP. BY | DATE    |
| GJP     | 6-30-08 |