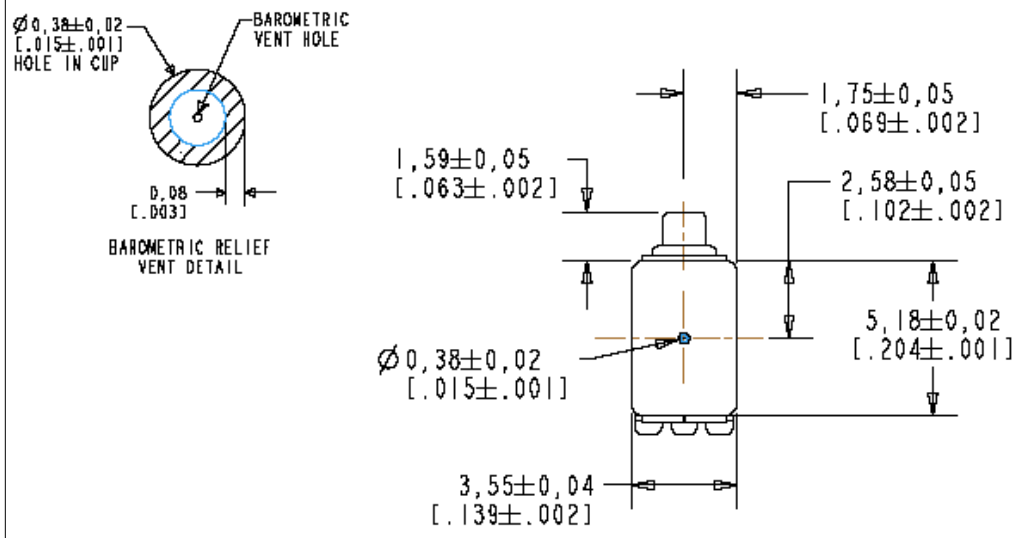
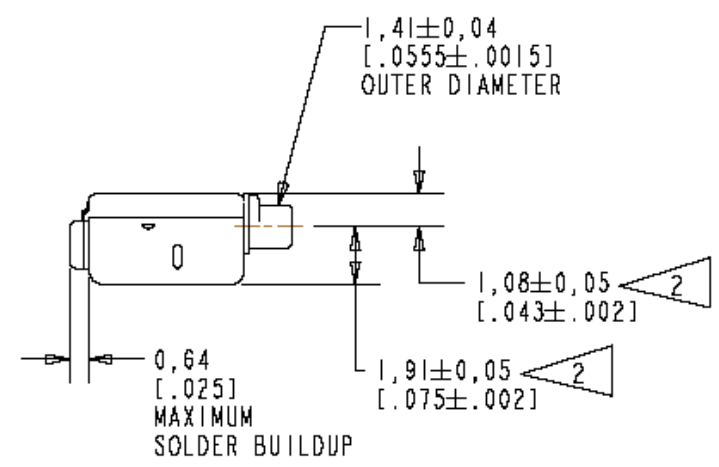
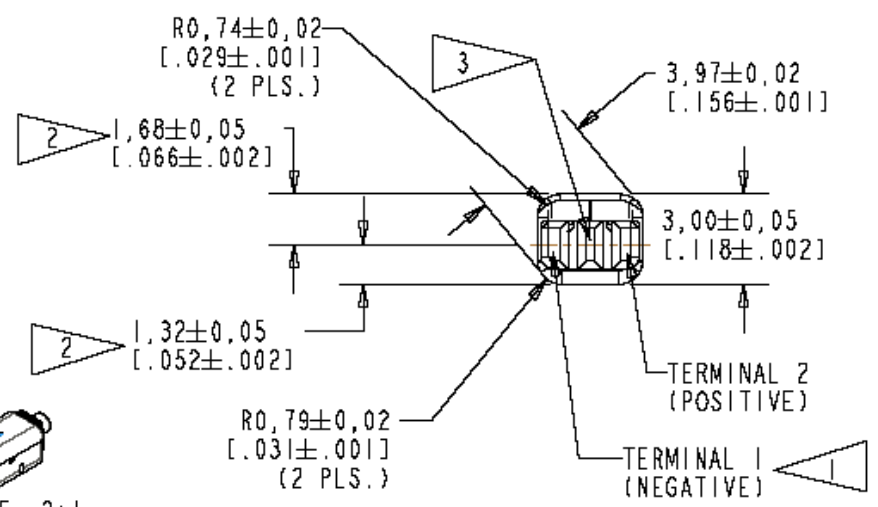


FC-30362-000
SHT 1.1



NOTES:

- 1 A POSITIVE GOING VOLTAGE AT TERMINAL 2, RELATIVE TO TERMINAL 1, CAUSES A DECREASE IN PRESSURE AT THE SOUND OUTLET.
- 2 LOCATED FROM TWO SURFACES FOR CUSTOMER CONVENIENCE. ONLY APPLICABLE FROM ONE SURFACE, NOT TO BE USED TOGETHER.
- 3 TERMINAL ELECTRICALLY CONNECTED TO CASE.



SCALE 2:1

NOMINAL WEIGHT
.23 GRAMS

DIMENSIONS IN MILLIMETERS [INCHES]

KNOWLES ELECTRONICS
ITASCA, ILLINOIS U.S.A.

Revision	C.O. #	Implementation Date	RELEASE LEVEL	REVISION
A	C10107266	3-7-08	Active	A

SCALE: 4:1	DR. BY: SJ	DATE: 3-7-08
DO NOT SCALE DRAWING	CK. BY: GJP	DATE: 3-11-08
TITLE: RECEIVER	APP. BY: GJP	DATE: 3-11-08
OUTLINE DRAWING		

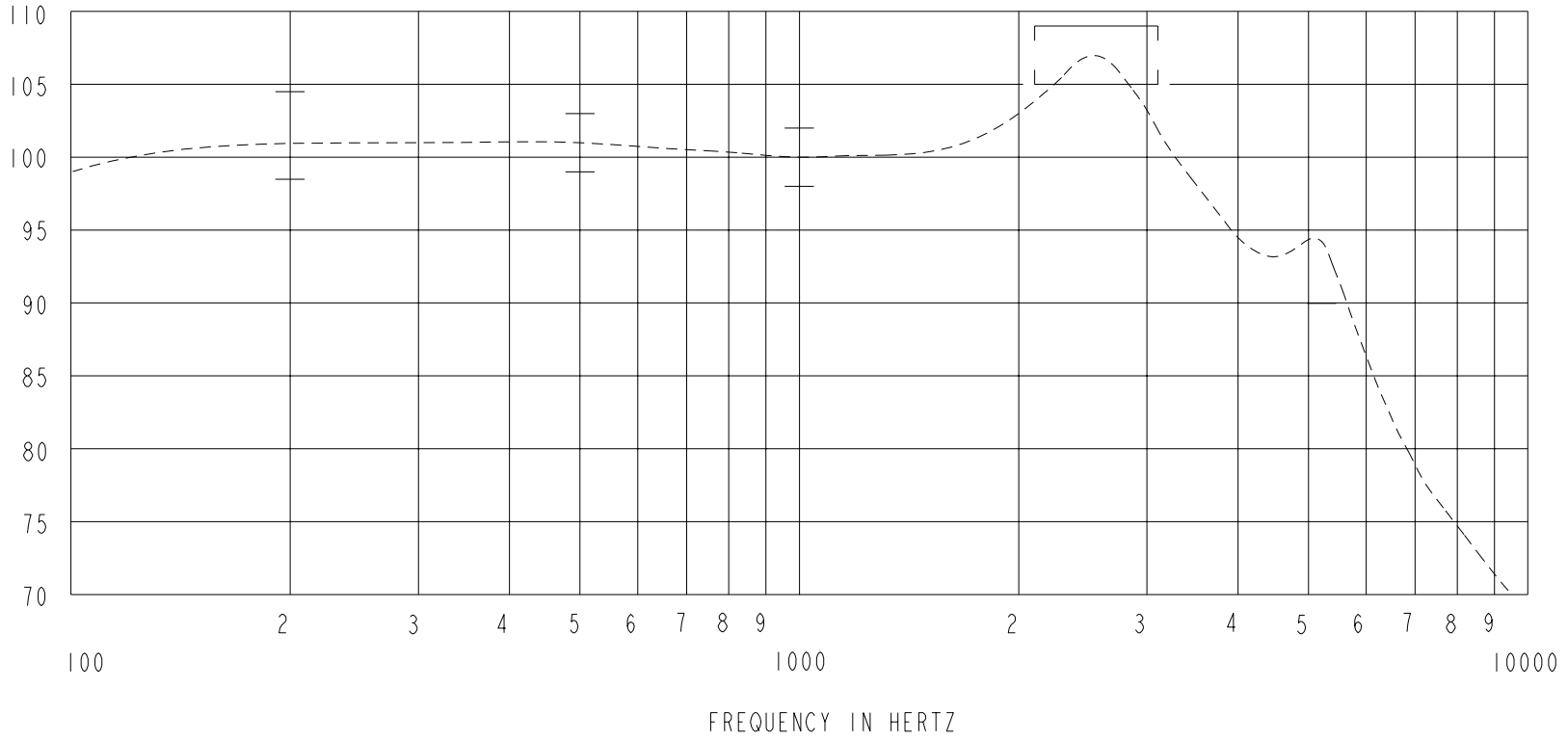
FC-30362-000

SHT 1.1

THE FC-30362-000 IS AN EXTERNALLY VENTED THREE TERMINAL FC-26465-000 RECEIVER, WITH CENTER TERMINAL CASE GROUND.

SENSITIVITY IN dB RELATIVE TO 20μPa FOR CONDITIONS SHOWN BELOW

CONSTANT VOLTAGE DRIVE CONDITIONS



ACOUSTICAL

SENSITIVITY
DEVICE WILL PRODUCE THE SPL LISTED BELOW UNDER TEST CONDITIONS DESCRIBED IN TABLE 3.
NOMINAL SENSITIVITY AT 1kHz IS dB RELATIVE TO 20μPa. ALL OTHER VALUES
IN dB RELATIVE TO THE SENSITIVITY AT 1kHz.

FREQUENCY (Hz)	MINIMUM	NOMINAL	MAXIMUM
200	-1.5	+1.5	+4.5
500	-1.0	+1.0	+3.0
1000	-2.0	100.0	+2.0
2100 - 3100	+5.0	+7.0	+9.0
5200	-10.0	---	---

PORT LOCATION: 12C

TABLE 1

TOTAL HARMONIC DISTORTION
DEVICE WILL NOT EXCEED TOTAL HARMONIC DISTORTION LEVELS LISTED BELOW.

FREQUENCY (Hz)	AC DRIVE (V rms)	DC BIAS (V)	LIMIT (%)
500	0.257	0	10
870	0.129	0	5
1300	0.129	0	5

TABLE 2

TEST CONDITIONS

NOMINAL SOURCE VOLTAGE	0.129 V rms, 0 mA DC BIAS
SOURCE IMPEDANCE	<1 Ohm
TUBING	10mm [.394"] LONG, 1mm [.039"] I.D.
COUPLER CAVITY	2 CM ³ , SIMULATED ANSI S3.7 TYPE HA-3 (IEC 126)

TABLE 3

ELECTRICAL

DC RESISTANCE	42 Ohms ± 10%
IMPEDANCE @ 500 Hz	62 Ohms ± 15%
IMPEDANCE @ 1kHz	96 Ohms ± 15%

TABLE 4

ISOLATION: CASE WILL BE ELECTRICALLY ISOLATED FROM THE COIL CIRCUIT.

TEMPERATURE: OPERATING: SENSITIVITY WILL NOT VARY MORE THAN
+1/-3 dB FROM -17°C TO 63°C

STORAGE: -40°C TO 63°C

Revision	C.O. #	Implementation Date	RELEASE LEVEL	REVISION
			Active	A
A	C10107266	3-7-08		
WHEN TEST LIMITS ARE USED TO ESTABLISH INCOMING INSPECTION ACCEPTANCE/REJECTION CRITERIA, CORRELATION OF TEST EQUIPMENT WITH KNOWLES IS ALSO REQUIRED FOR ELIMINATION OF EQUIPMENT AND TEST METHOD VARIATION				
TITLE: RECEIVER		FC-30362-000	DR. BY	DATE
PERFORMANCE SPECIFICATION		SHT 2.1	SJ	3-7-08
			CK. BY	DATE
			GJP	3-11-08
			APP. BY	DATE
			GJP	3-11-08

KNOWLES ELECTRONICS
ITASCA, ILLINOIS U.S.A.