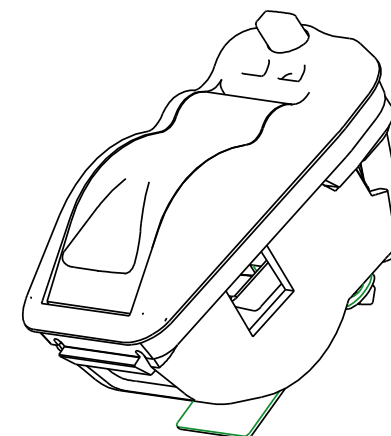
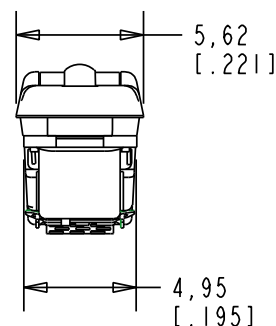
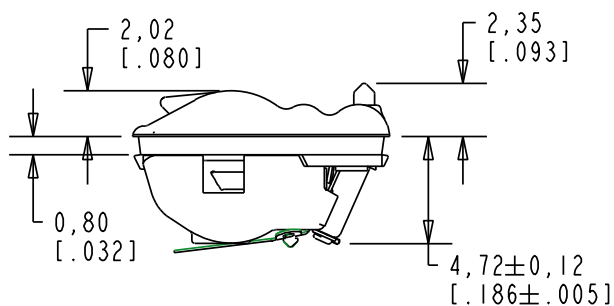


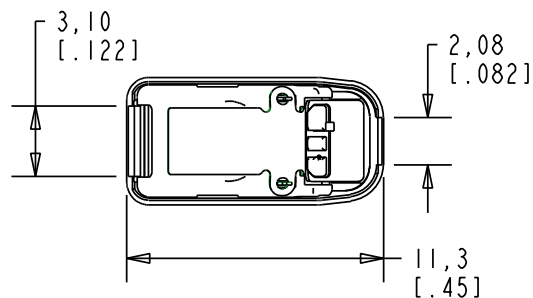
NOTES:

1. INCREASED PRESSURE AT THE SOUND INLET CAUSES A POSITIVE GOING VOLTAGE TO APPEAR AT THE OUTPUT TERMINAL, RELATIVE TO THE NEGATIVE TERMINAL.
2. ELECTRICAL CONFIGURATIONS ON SHEET 1.2.
3. FUNDAMENTAL TOLERANCE $\pm 0.08\text{mm}$ [0.0031 in]

RVA-90003-NXX
SHT 1.1



SCALE 5:1
ISO VIEW



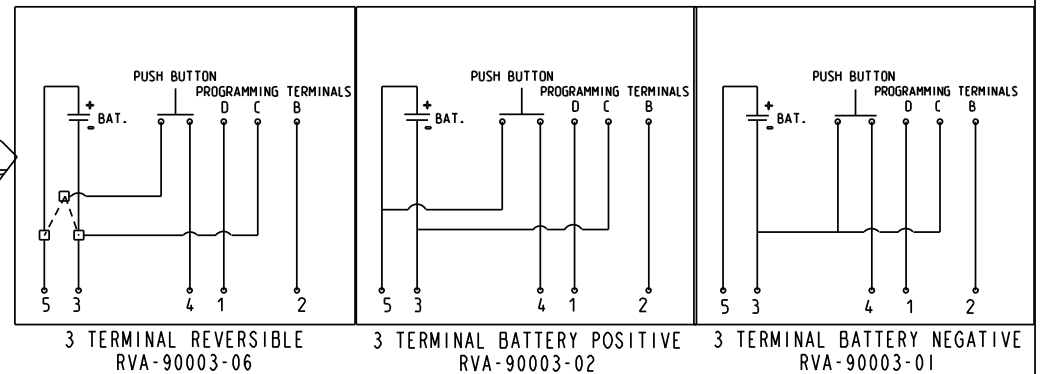
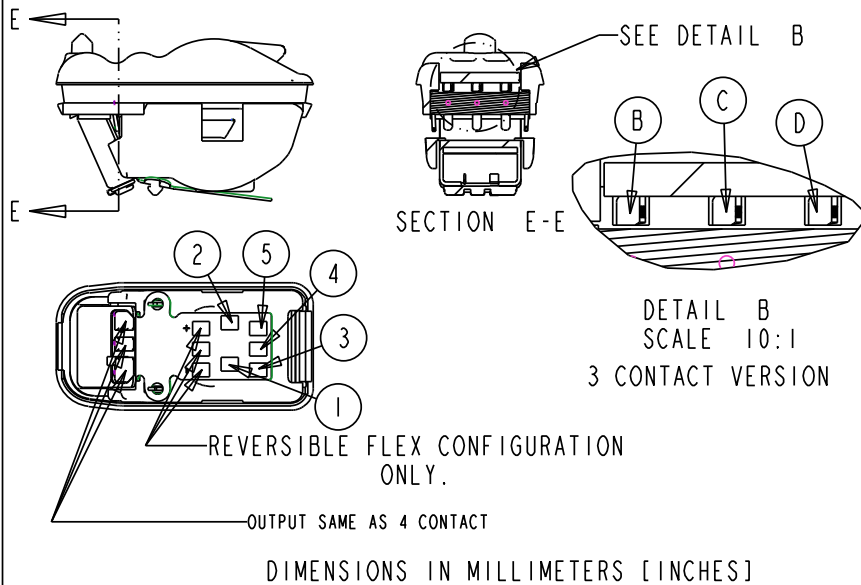
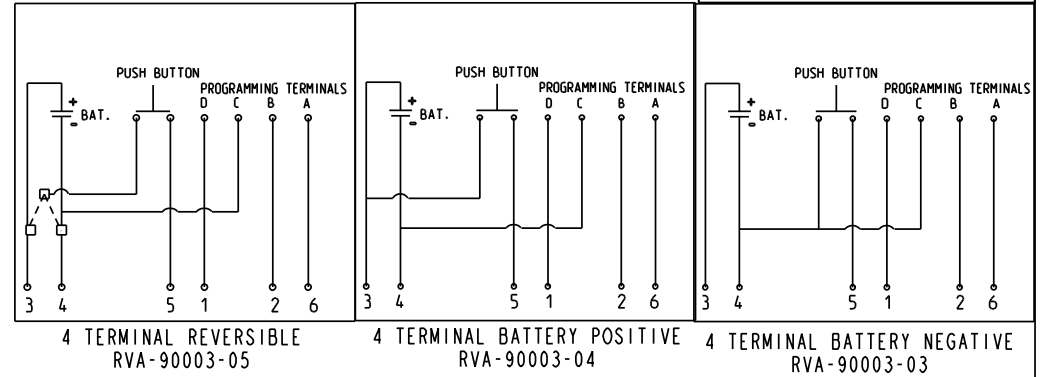
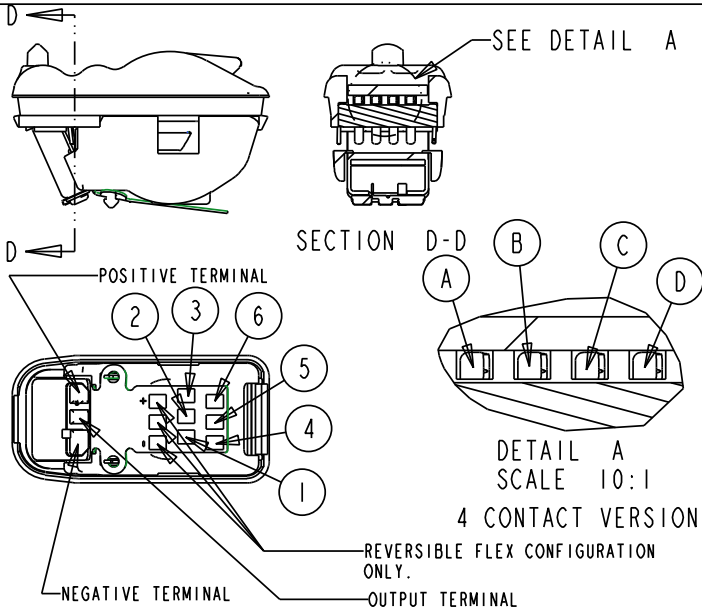
DIMENSIONS IN MILLIMETERS [INCHES]

KNOWLES ELECTRONICS
ITASCA, ILLINOIS U.S.A.

Revision	C.O. #	Implementation Date	RELEASE LEVEL	REVISION
			PRERELEASED	X8

SCALE:	3:1	DR. BY	DATE
	DO NOT SCALE DRAWING	JJH	6/14/07
TITLE:	8200 FACE PLATE	CK. BY	DATE
	OUTLINE DRAWING		
	RVA-90003-NXX	APP. BY	DATE
	SHT 1.1		

RVA-90003-NXX
SHT 1.2

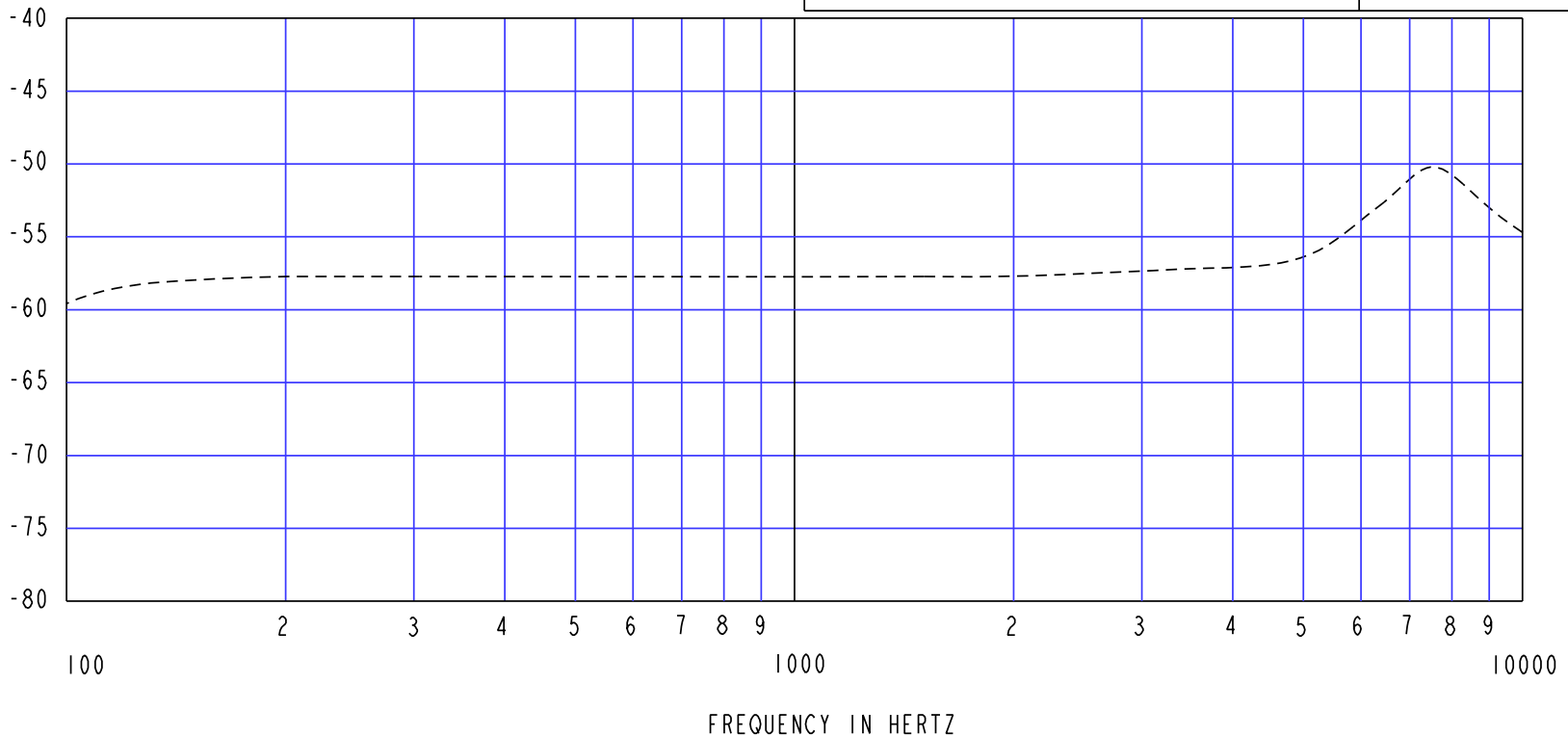


Revision	C.O. #	Implementation Date	RELEASE LEVEL	REVISION
			PRERELEASED	X8

KNOWLES ELECTRONICS
ITASCA, ILLINOIS U.S.A.

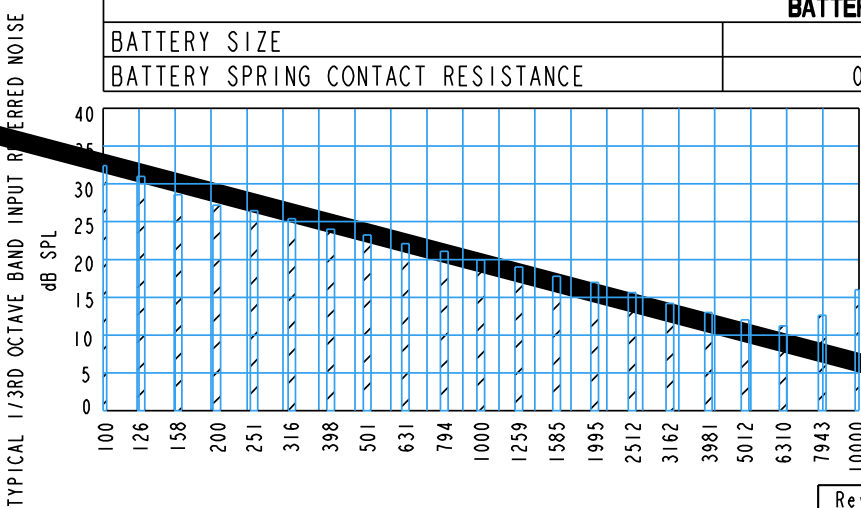
SCALE: 5:1	DR. BY: JJH	DATE: 6/14/07
DO NOT SCALE DRAWING	CK. BY: ---	DATE: ---
TITLE: 8200 FACE PLATE OUTLINE DRAWING	RVA-90003-NXX	APP. BY: --- DATE: ---

SENSITIVITY IN dB RELATIVE TO 1.0 VOLT/0.1 Pa (N/M²)
FOR CONDITIONS SHOWN BELOW



MICROPHONE: TO-24603-000

PARAMETER	FREQUENCY	MIN.	NOM.	MAX.	UNITS
SENSITIVITY	100 Hz	-4.5	0	0	NOMINAL SENSITIVITY AT 1 kHz IS IN dB re V/0.1 Pa. ALL OTHER VALUES IN dB RELATIVE TO THE SENSITIVITY AT 1 kHz.
	1 kHz	-59.5	-56.5	-53.5	
	~7800 Hz	+4.5	+7.5	+10.5	
NOISE				TBD	dB SPL EQUIVALENT A-WEIGHTED
CHANGE IN SENSITIVITY ON REDUCING SUPPLY TO 0.9 VDC				TBD	dB
CURRENT DRAIN					PER TO-24603-000 PRINT
INPUT REFERRED VIBRATION SENSITIVITY					PER TO-24603-000 PRINT
OUTPUT IMPEDANCE					PER TO-24603-000 PRINT
POWER SUPPLY REJECTION					PER TO-24603-000 PRINT
HUMIDITY COEFFICIENT OF SENSITIVITY AT 1000 Hz			TBD		dB/%RH
OPERATING TEMPERATURE RANGE		-17		55	°C
STORAGE TEMPERATURE RANGE		-40		60	°C
ESD TOLERANCE		MIL-STD-750 CLASS I RATING, EOS/ESD-S5.1-1993 CLASS 2 RATING			
NOMINAL TEST CONDITIONS					
POWER SUPPLY VOLTAGE			1.3		VDC
RELATIVE HUMIDITY			50		%
NOTES					
CASE CONNECTED TO NEGATIVE TERMINAL					
MICROPHONE TO BE FUNCTIONAL WITH 1.6 VDC SUPPLY					
PUSH BUTTON					
SWITCHED CURRENT	10mA MAX.				
CONTINUOUS CURRENT	100mA MAX.				
ACTIVATION FORCE	0.20N < X < 0.80N				
SWITCH RESISTANCE INSULATION	> 1MΩ				
SWITCH CONTACT RESISTANCE	< 10Ω				
SWITCH BOUNCE TIME	10mA MAX.				
OPERATIONAL LIFE TIME	100,000 CYCLES				
PROGRAMMING CONTACTS					
CONTACT RESISTANCE	0.150Ω MAX				
CONTACT RESISTANCE STABILITY	TBD				
INSULATION RESISTANCE	> 999MΩ				
PARASITIC CAPACITY	10pF MAX				
CONNECTOR SYSTEM	9201-153296				4 PROGRAMMING CONTACT VERSION
CONNECTOR SYSTEM	9201-153294				3 PROGRAMMING CONTACT VERSION
BATTERY COMPARTMENT					
BATTERY SIZE	10A				
BATTERY SPRING CONTACT RESISTANCE	0.250Ω MAX				



PRELIMINARY 10/03/2007

Revision	C.O. #	Implementation Date	RELEASE LEVEL	REVISION
			PRERELEASED	X8

WHEN TEST LIMITS ARE USED TO ESTABLISH INCOMING INSPECTION ACCEPTANCE/REJECTION CRITERIA, CORRELATION OF TEST EQUIPMENT WITH KNOWLES IS ALSO REQUIRED FOR ELIMINATION OF EQUIPMENT AND TEST METHOD VARIATION

DR. BY JJH DATE 6/14/07

CK. BY DATE

TITLE: 8200 FACE PLATE PERFORMANCE SPECIFICATION
RVA-90003-NXX
SHT 2.1

APP. BY DATE

KNOWLES ELECTRONICS
ITASCA, ILLINOIS U.S.A.