

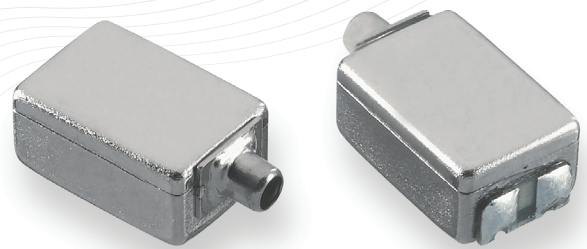
Balanced Armature Driver

ED-31305-163

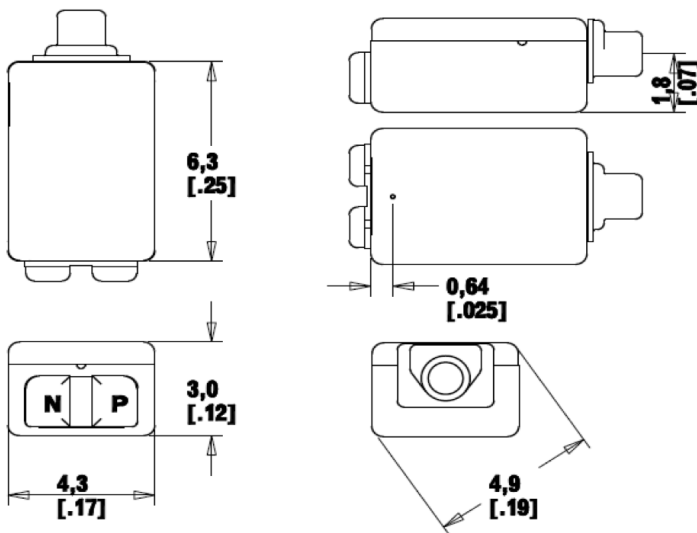
Single Full-range

Product Features:

- Small size
- Excellent price/performance
- Market proven
- May be used as mid-range or mid-tweeter
- RoHS compliant



Outline Drawing mm (inches)



Demonstrator Earphone Model Number

(standard sample in BOLD)

	without MIC	with MIC
Straight Cable	TC-32211-B84	TC-32282-B84

Ordering Information:
Model Number: ED-31305-163

Phone: (630) 250-5100
Fax: (630) 250-0575
info@knowles.com

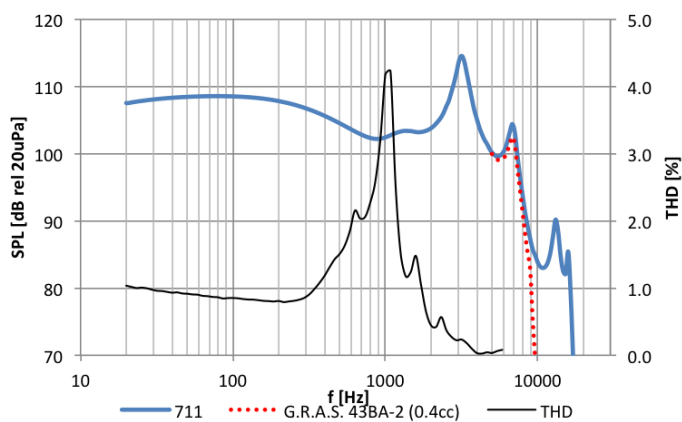
Knowles
1151 Maplewood Drive
Itasca, Illinois 60143

Balanced Armature Driver

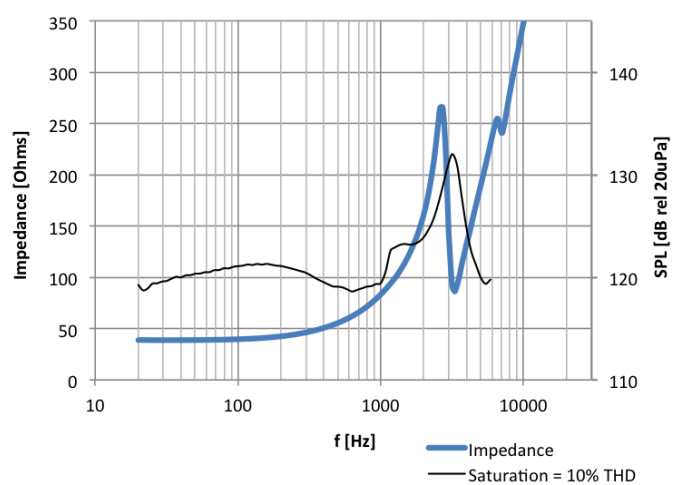
ED-31305-163

Single Full-range

Frequency Response and THD



Impedance and Saturation SPL



Testing Conditions

- using 100mV rms drive signal
- IEC60318-4 (711) coupler
- G.R.A.S. 43BA-2 (0.4cc)
- THD

Typical Performance at 1kHz

Impedance	84	Ohms
Sensitivity to 100mV	102	dB SPL
Sensitivity to 1mW	111	dB SPL
Max SPL ^a	119	dB SPL
THD at 94dB SPL	2.8	%
THD at 100dB SPL	3.9	%

Footnotes:
^a SPL at 10% THD

Note: • Ask about custom assembly options (lead wires, customer-specified materials, etc.)
 • To prevent heat damage, follow soldering guidelines in application note AN13 (knowles.com)
 • Measurement data for reference only. Refer to model specification for full dimensions and performance.

Ordering Information:
 Model Number: ED-31305-163

Phone: (630) 250-5100
 Fax: (630) 250-0575
 info@knowles.com

Knowles
 1151 Maplewood Drive
 Itasca, Illinois 60143