

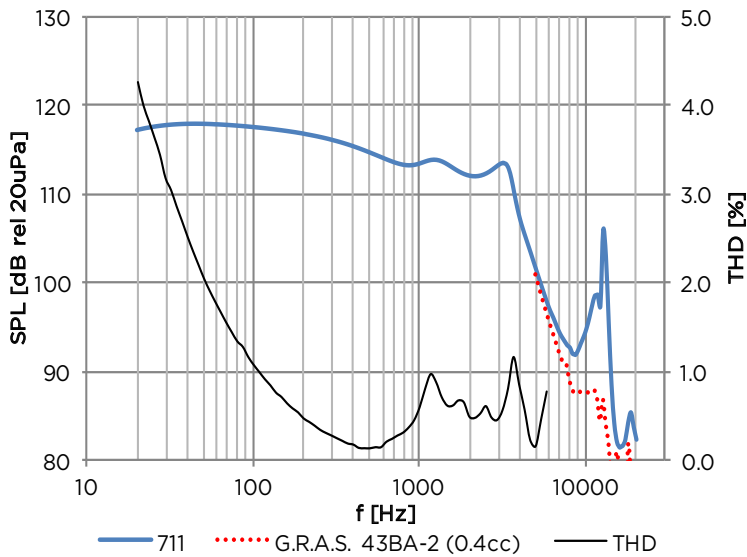
BALANCED ARMATURE DRIVER



PRODUCT FEATURES

- Woofer based on special damped vent BK
- Excellent bass response and dynamic range for a 2-way driver
- FK tweeter provides clear, distinctive midrange and treble
- Customization possible
- RoHS compliant

FREQUENCY RESPONSE AND THD



TYPICAL PERFORMANCE AT 1KHZ

Impedance	17	Ohms
Sensitivity to 100mV	113	dB SPL
Sensitivity to 1mW	116	dB SPL
Max SPL ¹	131	dB SPL
THD at 94 dB SPL	0.1	%
THD at 100 dB SPL	0.2	%

¹ SPL at 10% THD

TESTING CONDITION

Using 100mV rms drive signal

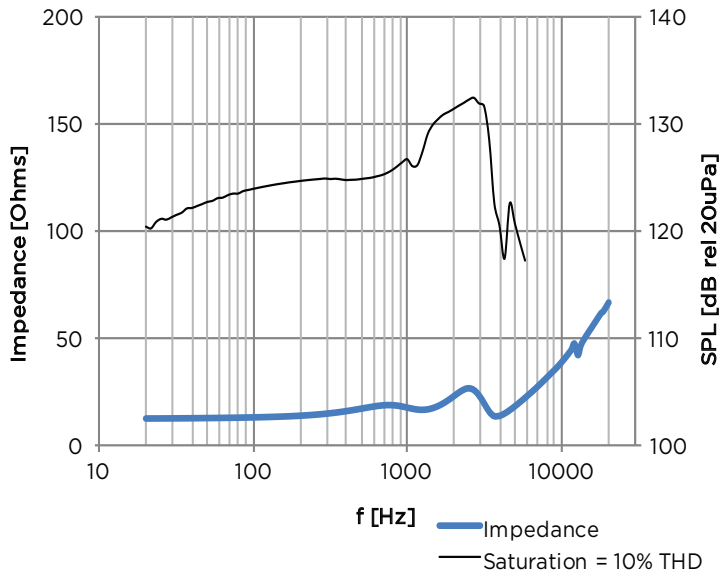
- IEC60318-4 (711) coupler
- ... G.R.A.S. 43BA-2 (0.4cc)
- THD



BALANCED ARMATURE DRIVER GU-32829-000

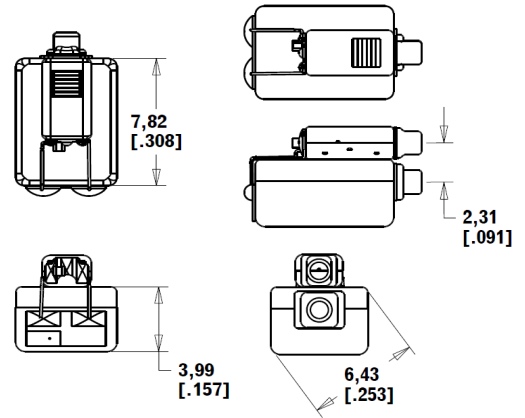
IMPEDANCE AND SATURATION SPL

In-Ear Speaker
2-way Woofer/Tweeter



OUTLINE DRAWING

mm (inches)



NOTES:

Ask about custom assembly options (lead wires, customer specified materials, etc).

To prevent heat damage, follow soldering guidelines in Application Note AN13 (knowles.com).

Measurement data for reference only. Refer to model specification for full dimensions and performance.

REFERENCE DESIGN EARPHONE MODEL NUMBER

Straight rubber cable with inline mic - Standard	TC-33040-B129
Straight rubber cable without mic - Special order	none

