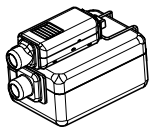
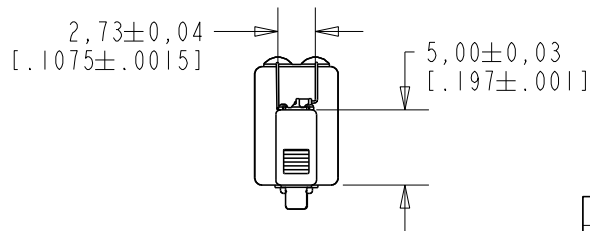
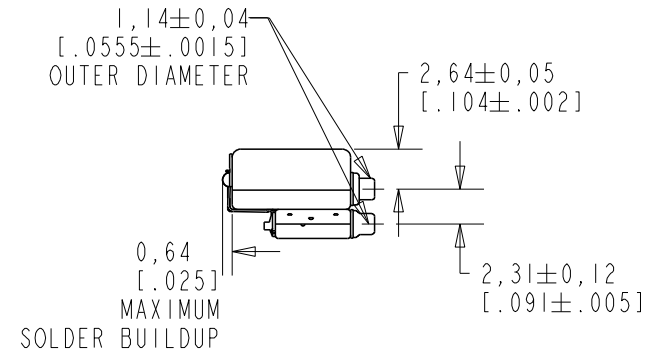
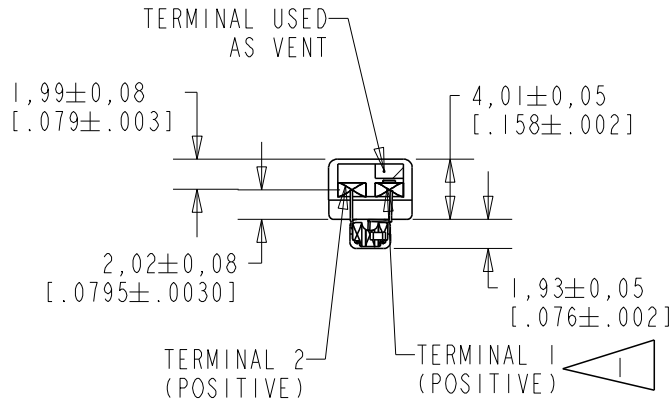
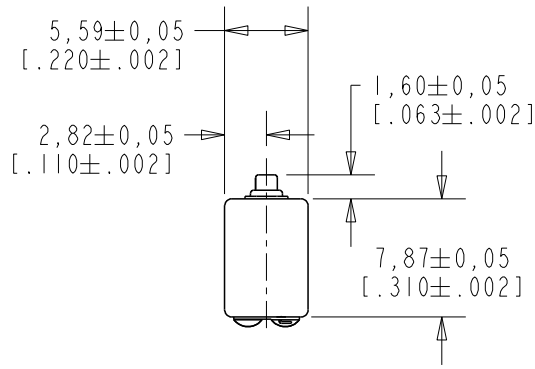


GU-32829-000
SHT 1.1

NOTES:

 A POSITIVE GOING VOLTAGE AT TERMINAL 2, RELATIVE TO TERMINAL 1, CAUSES A DECREASE IN PRESSURE AT THE SOUND OUTLET.



NOMINAL WEIGHT
.66 GRAM

DIMENSIONS IN MILLIMETERS [INCHES]

Revision	C.O. #	Implementation Date	RELEASE LEVEL	REVISION
B	PI0000984	3-20-17	Active	B
A	PI0000621	8-11-16		

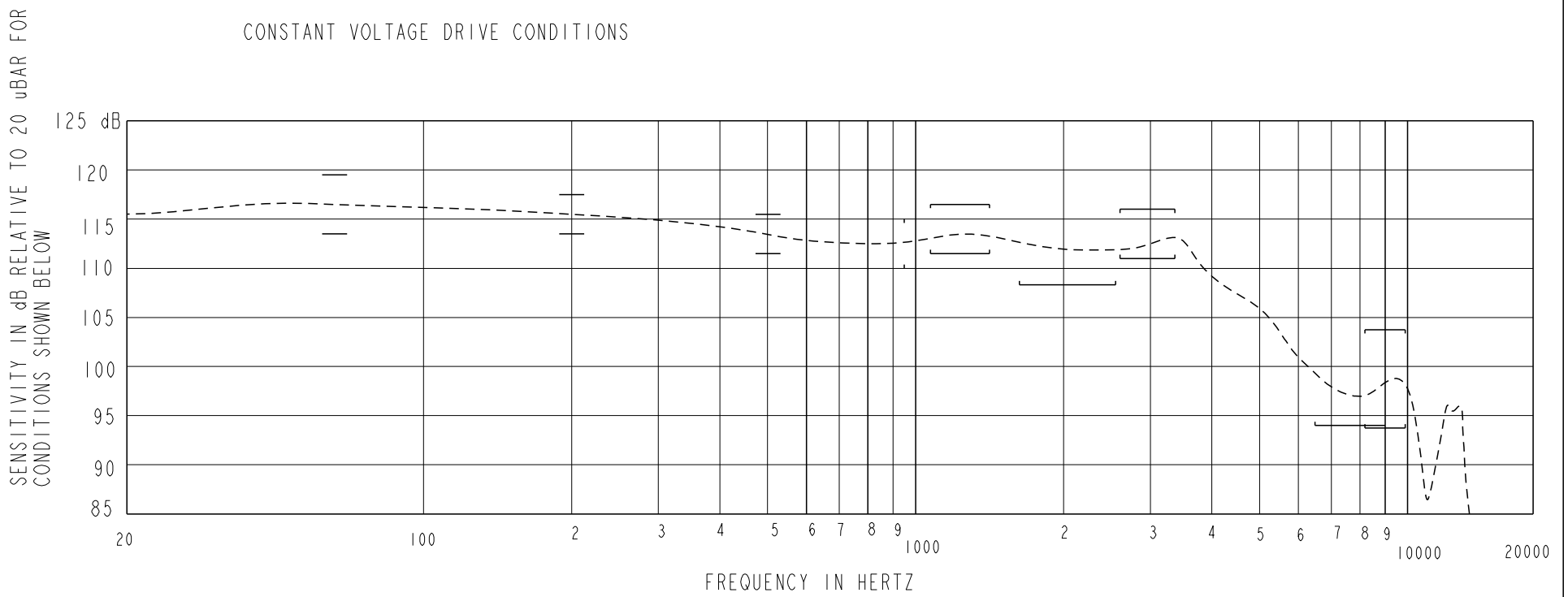
SCALE: 2:1		DR. BY: NANC	DATE: 8-11-16
DO NOT SCALE DRAWING		CK. BY: GJP	DATE: 8-11-16
TITLE: RECEIVER	GU-32829-000	APP. BY: GJP	DATE: 1-18-16
OUTLINE DRAWING		SHT 1.1	

KNOWLES CORPORATION

UNDAMPED MAGNETIC BALANCED ARMATURE RECEIVERS INTENDED FOR USE AS THE HIGH AND LOW FREQUENCY DRIVERS IN A Hi Fi SYSTEM. THE GU RECEIVER COMBINES A FK AND BK RECEIVERS COUPLED THROUGH A CIRCUIT TO PROVIDE THE RESPONSE SHAPE.

GU-32829-000

SHEET 2.1



ACOUSTICAL

SENSITIVITY
DEVICE WILL PRODUCE THE SPL LISTED BELOW UNDER TEST CONDITIONS IN TABLE 3. NOMINAL SENSITIVITY AT 1kHz IS dB RELATIVE TO 20 μ Pa. ALL OTHER VALUES IN dB RELATIVE TO THE SENSITIVITY AT 1kHz.

FREQUENCY (Hz)	MINIMUM	NOMINAL	MAXIMUM
70	0.0	+3.0	+6.0
200	0.0	+2.0	+4.0
500	-2.0	+113.5	+2.0
700-950	-3.5	-1.0	+1.5
1100-1500	-2.0	0.0	+2.0
1700-2600	-4.25	--	--
2650-3400	-2.5	0.0	+2.5
6500-9000	-19.5	--	--
8200-9900	-19.75	-14.75	-9.75

TABLE 1.

TOTAL HARMONIC DISTORTION
DEVICE WILL NOT EXCEED TOTAL HARMONIC DISTORTION LEVELS LISTED BELOW.

FREQUENCY (Hz)	AC DRIVE (V rms)	DC BIAS (mA)	LIMIT (%)
830	0.101	0	3
1130	0.101	0	3
500	0.3	0	3

TABLE 2.

TEST CONDITIONS

NOMINAL SOURCE VOLTAGE	0.101 Vrms, 0 Vdc BIAS
SOURCE IMPEDANCE	< 1 Ohm
TUBING	3.96mm LONG, 1.0mm ID
COUPLER CAVITY	IEC 60318-4(711)

TABLE 3.

ELECTRICAL

DC RESISTANCE	16.0 OHMS \pm 10%
IMPEDANCE @ 500 Hz	15.0 OHMS \pm 20%
IMPEDANCE @ 1 k Hz	17.0 OHMS \pm 23%

TABLE 4

ISOLATION: CASE WILL BE ELECTRICALLY ISOLATED FROM THE COIL CIRCUIT.

MECHANICAL

PORT LOCATION: DUAL PORT

SOLDER TYPE: SAC305 (LEAD FREE)

TEMPERATURE

OPERATING: SENSITIVITY AT 1K Hz WILL NOT VARY MORE THAN $\pm 1/-3$ dB FROM 0°C TO 63°C

STORAGE: -40°C TO 63°C

KNOWLES CORPORATION

Revision	C.O. #	Implementation Date	RELEASE LEVEL	REVISION
B	PI0000984	3-20-17	Active	B
A	PI0000621	8-11-16		
WHEN TEST LIMITS ARE USED TO ESTABLISH INCOMING INSPECTION ACCEPTANCE/REJECTION CRITERIA, CORRELATION OF TEST EQUIPMENT WITH KNOWLES IS ALSO REQUIRED FOR ELIMINATION OF EQUIPMENT AND TEST METHOD VARIATION			DR. BY	DATE
TITLE: RECEIVER PERFORMANCE SPECIFICATION			NANC	8-11-16
			GJP	8-11-16
GU-32829-000 SHT 2.1			APP. BY	DATE
			GJP	1-18-16