

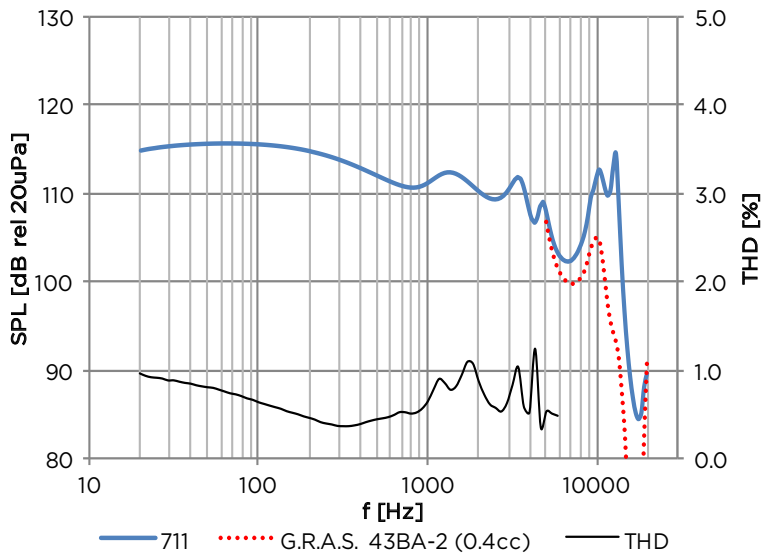
GV-32830-000

4-WAY DUAL WOOFER / MIDRANGE / TWEETER

BALANCED ARMATURE DRIVER



FREQUENCY RESPONSE AND THD



PRODUCT FEATURES

- High dynamic range/low distortion
- 4-way with rich bass
- Premium bandwidth
- Customization possible (crossover, damping, porting, etc.)
- RoHS compliant

TYPICAL PERFORMANCE AT 1KHZ

Impedance	28	Ohms
Sensitivity to 100mV	113	dB SPL
Sensitivity to 1mW	116	dB SPL
Max SPL ¹	125	dB SPL
THD at 94 dB SPL	0.2	%
THD at 100 dB SPL	0.3	%

¹ SPL at 10% THD

TESTING CONDITION

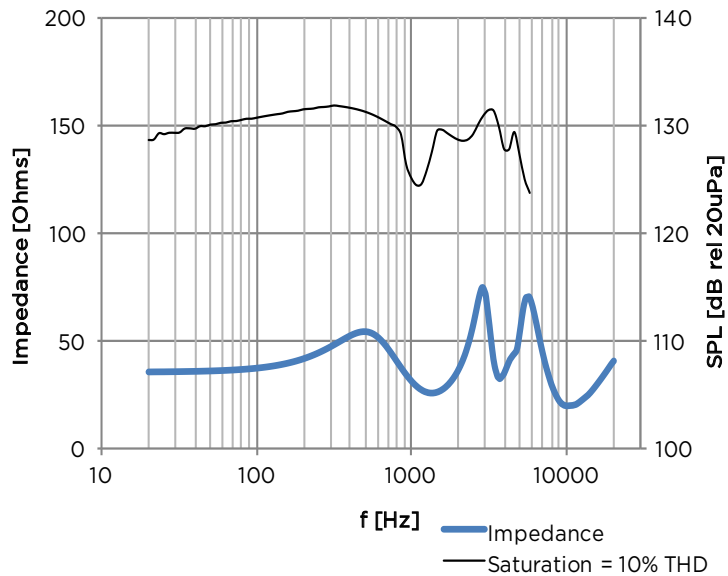
Using 100mV rms drive signal

- IEC60318-4 (711) coupler
- ... G.R.A.S. 43BA-2 (0.4cc)
- THD



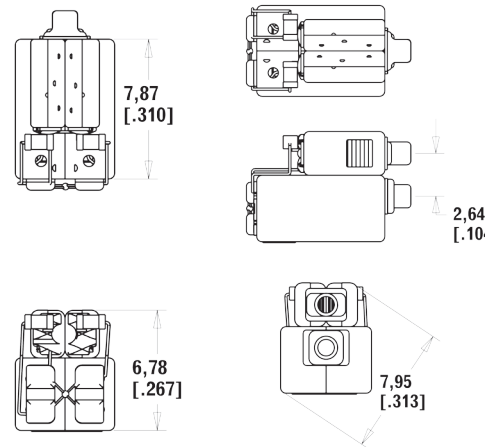
IMPEDANCE AND SATURATION SPL

4-way Woofer/Midrange/Tweeter



OUTLINE DRAWING

mm (inches)



NOTES:

Ask about custom assembly options (lead wires, customer specified materials, etc).

To prevent heat damage, follow soldering guidelines in Application Note AN13 (knowles.com).

Measurement data for reference only. Refer to model specification for full dimensions and performance.

REFERENCE DESIGN EARPHONE MODEL NUMBER

Straight rubber cable with inline mic - Standard	TC-33040-B128
Straight rubber cable without mic - Special order	none

