

RDI-34006-000

SHT 1.1

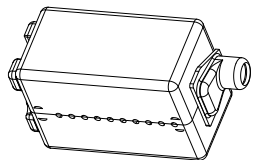
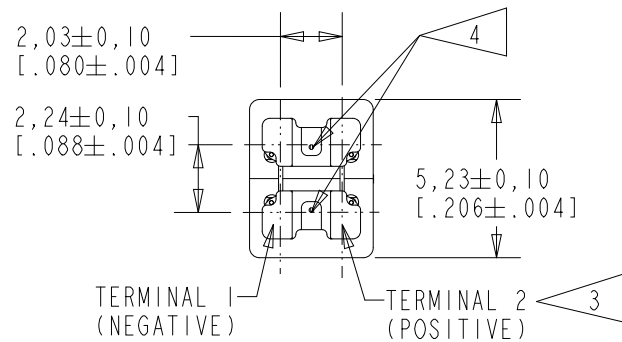
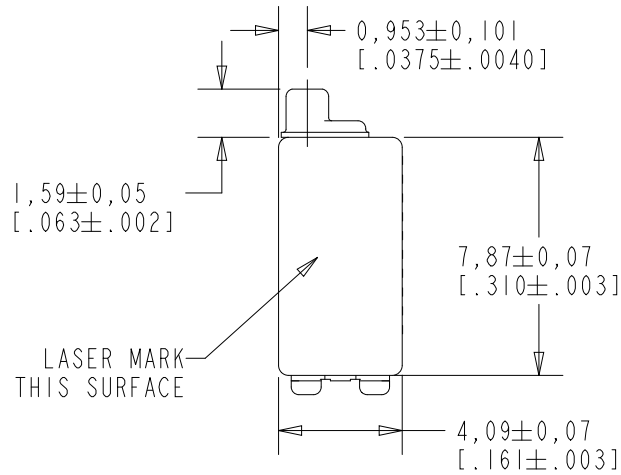
NOTES:

1. A POSITIVE GOING VOLTAGE AT TERMINAL 2 RELATIVE TO TERMINAL 1, CAUSES A DECREASE IN PRESSURE AT THE SOUND OUTLET.

2. LOCATED FROM TWO SURFACES FOR CUSTOMER CONVENIENCE. ONLY APPLICABLE FROM ONE SURFACE, NOT TO BE USED TOGETHER. HORIZONTAL LOCATION FOR TERMINAL CENTERED TO $\pm 0,17$ [.007].

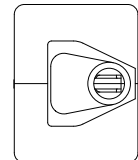
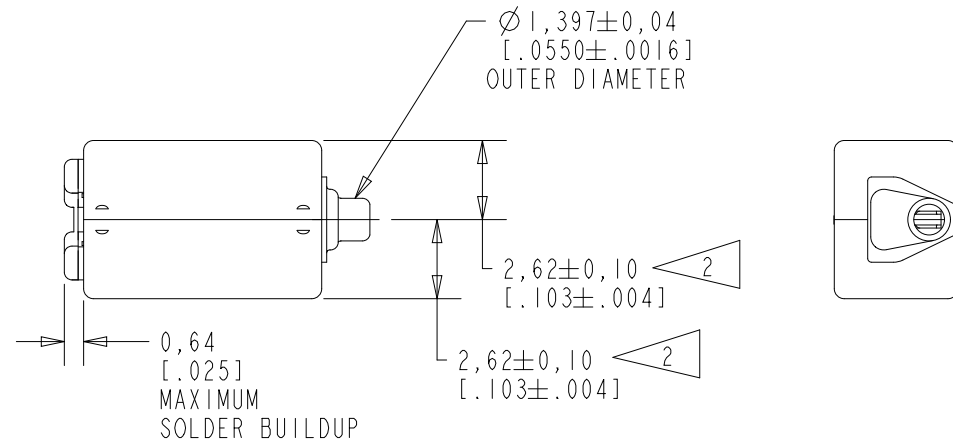
3. RECEIVERS WIRED IN ELECTRICAL PARALLEL WHEN CONNECTED TO TERMINAL 1 AND TERMINAL 2.

4. VENT HOLES (2 PLS.) DO NOT BLOCK OR FILL WITH DEBRIS.



NOMINAL WEIGHT
.70 GRAMS

DIMENSIONS IN MILLIMETERS [INCHES]



Revision	C.O. #	Implementation Date	RELEASE LEVEL	REVISION
			Active	A
A	PI0004815	1-13-21		

SCALE: 4:1		DR. BY	DATE
DO NOT SCALE DRAWING		AFN	1-13-21
TITLE: RECEIVER		CK. BY	DATE
OUTLINE DRAWING		GJP	1-15-21
RDI-34006-000		APP. BY	DATE
SHT 1.1		GJP	1-15-21

KNOWLES CORPORATION

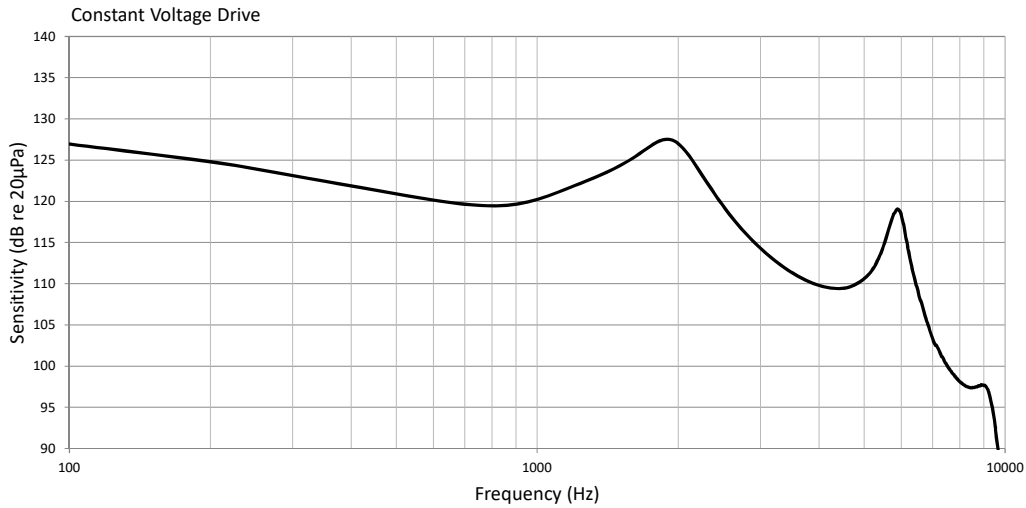
THE RDI-34006-000 IS A PAIR OF BALANCED ARMATURE RECEIVERS WITH BACK VENT AT TERMINAL PADS. THE ACOUSTIC PERFORMANCE IS MEASURED WITH VENT UNBLOCKED INTO THE OPEN AIR.

NO DAMPING

RDI-34006-000

Sht 2.1

RoHS Compliant



Acoustical

Sensitivity: Device will produce the SPL listed below with the test conditions described in table 3. Nominal sensitivity at 500Hz is dB relative to 20 µPa. All other values in dB relative to the sensitivity at 500kHz.

Limit Type	Frequency (Hz)	Minimum	Nominal	Maximum
Rel	200	+1.0	+4.0	+7.0
Ref	500	-2.0	120.0	+2.0
Peak 1	1500 - 2100	+4.0	+7.0	+10.0
Valley 1	4000 - 4800	-15.0	-12.0	-9.0
Peak 2	5400 - 6400	-5.0	-2.0	+1.0

Table 1

Total Harmonic distortion: Device will not exceed total harmonic distortion levels listed below:

Frequency (Hz)	AC Drive (Vrms)	Bias	Limit (%)
1/3 Peak 1	0.118	0	5
1/2 Peak 1	0.118	0	5
1/3 Peak 1	0.236	0	10
1/2 Peak 1	0.236	0	10

Table 2

Test Conditions

Nominal Source Voltage	0.118 Vrms
Source Impedance	<1 Ohm
Tubing	TUBELESS, KNOWLES TOOL NUMBER T8688
Coupler Cavity	IEC 60318-4 (IEC 711)

Table 3

Electrical

DC Resistance @ 20°C	8.7 Ohms ± 10%
Impedance @ 500 Hz	14.2 Ohms ± 15%
Impedance @ 1000 Hz	24.4 Ohms ± 15%

Table 4

Isolation: Case will be electrically isolated from the coil circuit.

Mechanical

Port location: 11S

Solder type: RoHS compliant, SAC 305

Temperature

Operating: Sensitivity will not vary more than +1/-3 dB from 0°C to +63°C.

Storage: -40°C to +63°C

Knowles Corporation

Revision	C.O. #	Implementation Date	Release level	Revision	
			Active	A	
A	P10004815	1-13-21			
When test limits are used to establish incoming inspection acceptance/rejection criteria, correlation of test equipment with Knowles is also required for elimination of equipment and test method variation.					Dr by
Receiver Performance Specification			RDI-34006-000	AFN	1-13-21
			Sht 2.1	Ck by	Date
				GJP	1-15-21
				App by	Date
				GJP	1-15-21

This document contains confidential, proprietary, trade secret information of Knowles Electronics, LLC or its affiliated entities. Any unauthorized use or dissemination is strictly prohibited.