

Balanced Armature Driver

HODVTEC-31618-000

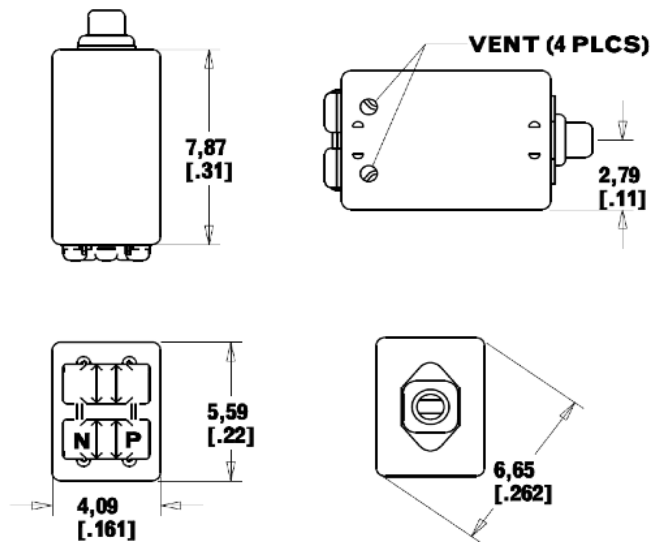
Dual Woofer

Product Features:

- High drive capability
- Combines with complimentary mid-high or tweeter driver for full-range audio
- Customization possible (impedance, damping, porting, etc.)
- Dual element construction for high efficiency and low mechanical vibration
- RoHS compliant



Outline Drawing mm (inches)



Ordering Information:
Model Number: HODVTEC-31618-000

Phone: (630) 250-5100
Fax: (630) 250-0575
info@knowles.com

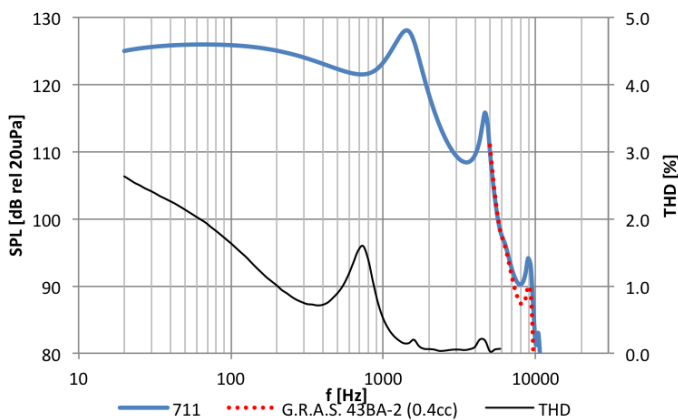
Knowles
1151 Maplewood Drive
Itasca, Illinois 60143

Balanced Armature Driver

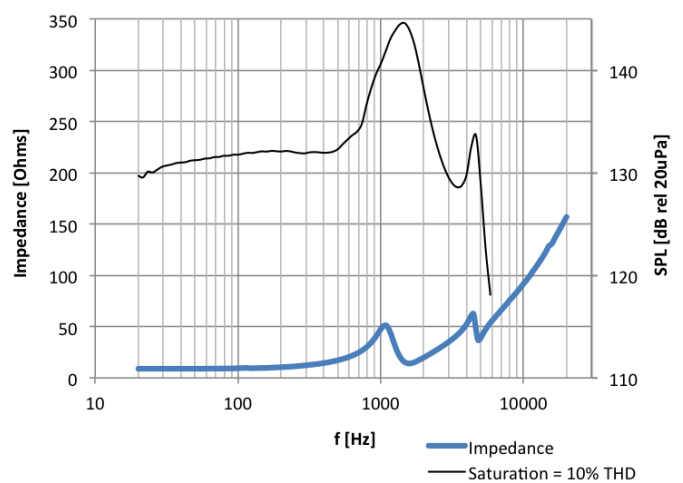
HODVTEC-31618-000

Dual Woofer

Frequency Response and THD



Impedance and Saturation SPL



Testing Conditions

- using 100mV rms drive signal
- IEC60318-4 (711) coupler
- G.R.A.S. 43BA-2 (0.4cc)
- THD

Typical Performance at 1kHz

Impedance	48	Ohms
Sensitivity to 100mV	123	dB SPL
Sensitivity to 1mW	130	dB SPL
Max SPL ^a	141	dB SPL
THD at 94dB SPL	0.1	%
THD at 100dB SPL	0.1	%

Footnotes:
^a SPL at 10% THD

Note: • Ask about custom assembly options (lead wires, customer-specified materials, etc.)
 • To prevent heat damage, follow soldering guidelines in application note AN13 (knowles.com)
 • Measurement data for reference only. Refer to model specification for full dimensions and performance.

Ordering Information:
 Model Number: HODVTEC-31618-000

Phone: (630) 250-5100
 Fax: (630) 250-0575
 info@knowles.com

Knowles
 1151 Maplewood Drive
 Itasca, Illinois 60143