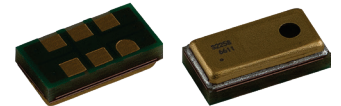




SPG08P4HM4H-1
BARACUS

Knowles robust, high-performance digital microphone for narrow bezel applications



PRODUCT OVERVIEW

- ▶ 64 dB Signal-to-Noise Ratio (SNR) in a small footprint, ideal for a wide range of use cases in laptop, smartphones and mobile devices
- ▶ ± 1 dB sensitivity matching improves audio algorithm performance including beam forming and noise suppression.
- ▶ Narrow (2mm) digital top port microphone for bezel-less laptop and mobile phone application.
- ▶ Noise-immune duplex PDM output enables multi-mic architectures and eases system integration.

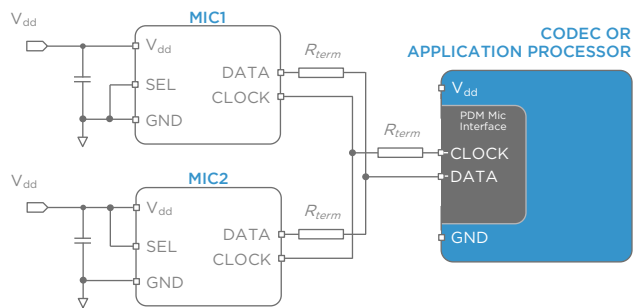
TYPICAL APPLICATIONS

- ▶ Laptop, Smartphone and Mobile Devices
- ▶ Action Cameras
- ▶ Voice-Enabled Remote Controls and Other Space-Constrained Applications
- ▶ Active Noise Cancelling (ANC) Headsets
- ▶ Hearables and Bluetooth Headsets

KEY PARAMETERS	SPECIFICATIONS
Signal-to-noise ratio (SNR)	64 dB (A)
Acoustic Overload Point (1% / 10% AOP)	115 dB SPL / 120 dB SPL
Low Frequency Roll Off (LFRO)	35 Hz
Bandwidth (± 3 dB)	10 kHz
Current consumption	715uA
Sensitivity and Tolerance	-26 ± 1 dB FS
Supply voltage	1.65 to 3.6V
Interface	PDM Digital
Clock Rates Supported (Normal Mode)	1.2 to 4.8 MHz
Port location	Top Port
Package dimensions	4.00 x 2.00 x 1.10 mm

APPLICATION NOTES

TYPICAL STEREO MODE APPLICATION CIRCUIT

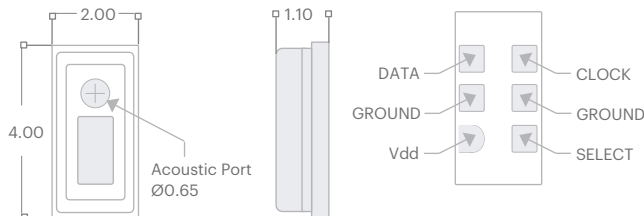


Note: The above block diagram is for illustrative purposes only. Specific connectivity recommendations from the CODEC manufacturer should be followed.

CONTACT

For inquiries, please contact your nearest Knowles representative, or Knowles at: memsmicinfo@knowles.com

DIMENSIONS (MM)



DISCLAIMER

The information given in this document shall in no event be regarded as a guarantee of conditions or characteristics. With respect to any examples given herein, any typical values stated herein and/or any information regarding the application of the device, Knowles Electronics, LLC hereby disclaims any and all warranties and liabilities of any kind, including without limitation warranties of non-infringement of intellectual property rights of any third party.

INFORMATION

For further information on technology, delivery terms and conditions and prices, please contact a Knowles representative.

© 2019, Knowles Electronics, LLC, Itasca, IL USA. All Rights Reserved. Knowles and the logo are trademarks of Knowles Electronics, LLC.

