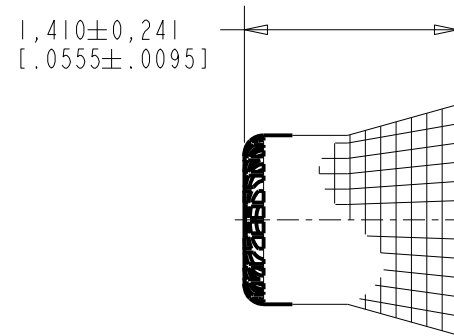
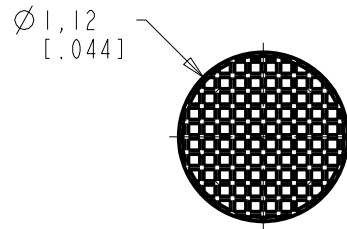


BF-1991-000
SHT 1.1

ⓓ NOTE:

1. ACOUSTIC RESISTANCE IS MEASURED WITH ELEMENT INSERTED IN HOLE 1,14 [.045] DIA. X 2,03 [.080] LONG.
2. ACOUSTICAL RESISTANCE TO BE $1500 \pm 20\% \Omega$ COLOR GREEN.
3. ACOUSTIC DAMPING ELEMENTS ARE PACKED 100 PIECES PER BOX.



DIMENSIONS IN MILLIMETERS [INCHES]

KNOWLES ELECTRONICS
ITASCA, ILLINOIS U.S.A.

Revision	C.O. #	Implementation Date	RELEASE LEVEL	REVISION
			Active	D
D	MI0105938	3-18-15		
C	MI0100342	4-6-05		
SCALE: 20:1			DR. BY	DATE
DO NOT SCALE DRAWING			GJP	9-5-84
			CK. BY	DATE
TITLE: BF DAMPER OUTLINE DRAWING			---	---
			BF-1991-000 SHT 1.1	
			KHW	9-5-84