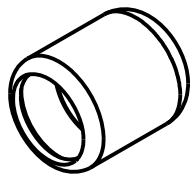
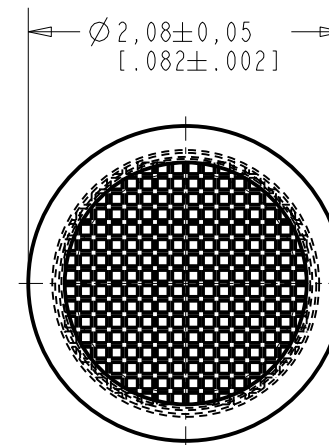
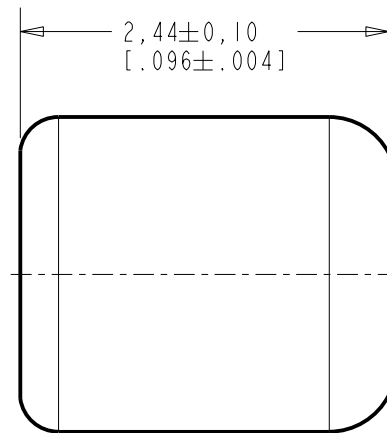


BF-30465-000
SHT 1.1

(B) NOTE:

1. ACOUSTICAL RESISTANCE TO BE $680 \pm 20\% \Omega$ COLOR WHITE.
2. ACOUSTIC DAMPING ELEMENTS ARE PACKED 100 PIECES PER BOX.



SCALE 8:1

DIMENSIONS IN MILLIMETERS [INCHES]

KNOWLES ELECTRONICS
ITASCA, ILLINOIS U.S.A.

Revision	C.O. #	Implementation Date	RELEASE LEVEL	REVISION
B	MI0105938	3-18-15	Active	B
A	MI0102038	7-04-08		
SCALE: 20:1			DR. BY	DATE
DO NOT SCALE DRAWING			SDZ	7-04-08
TITLE: BF DAMPER			CK. BY	DATE
OUTLINE DRAWING			GJP	7-07-08
BF-30465-000			APP. BY	DATE
SHT 1.1			GJP	7-07-08