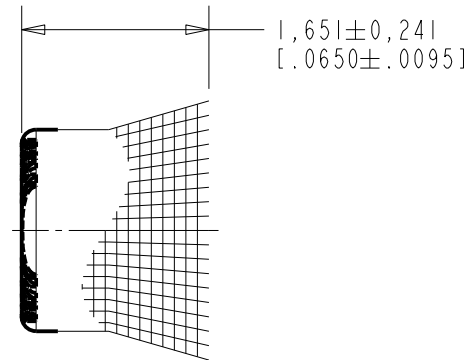
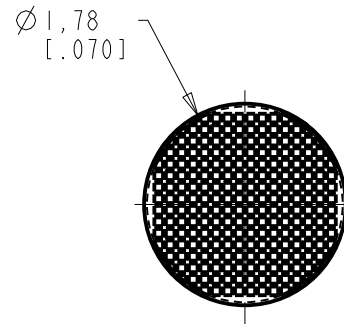


BF-31162-000

SHT 1.1

(B) NOTE:

1. ACOUSTIC RESISTANCE IS MEASURED WITH ELEMENT INSERTED IN HOLE 1,80 [.071] DIA X 2,54 [.100] LONG.
2. ACOUSTICAL RESISTANCE TO BE $1500 \pm 20\% \Omega$ COLOR LIGHT BROWN.
3. ACOUSTIC DAMPING ELEMENTS ARE PACKED 100 PIECES PER BOX.



DIMENSIONS IN MILLIMETERS [INCHES]

KNOWLES ELECTRONICS
ITASCA, ILLINOIS U.S.A.

Revision	C.O. #	Implementation Date	RELEASE LEVEL	REVISION
B	MI0105938	3-18-15	Active	B
A	MI0103657	5-20-10		
SCALE: 15:1			DR. BY	DATE
DO NOT SCALE DRAWING			LSY	5-20-10
TITLE: BF DAMPER			CK. BY	DATE
OUTLINE DRAWING			GJP	5-24-10
BF-31162-000			APP. BY	DATE
SHT 1.1			GJP	5-24-10