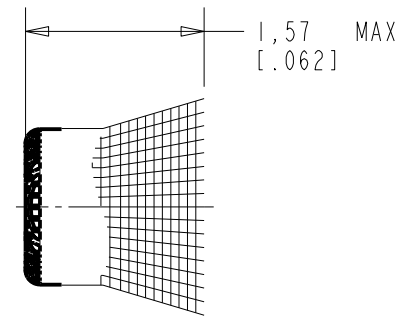
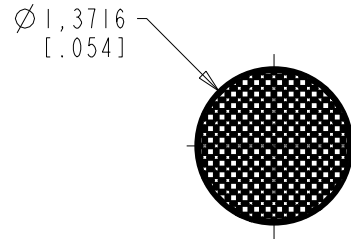


**BF-3292-000**  
SHT 1.1

- (C) NOTE:
1. ACOUSTIC RESISTANCE IS MEASURED WITH ELEMENT INSERTED IN HOLE 1,37 [.054] DIA X 1,65 [.065] LONG.
  2. ACOUSTICAL RESISTANCE TO BE  $1000 \pm 20\% \Omega$  COLOR BROWN.
  3. ACOUSTIC DAMPING ELEMENTS ARE PACKED 100 PIECES PER BOX.



DIMENSIONS IN MILLIMETERS [INCHES]

**KNOWLES ELECTRONICS**  
ITASCA, ILLINOIS U.S.A.

Revision	C.O. #	Implementation Date	RELEASE LEVEL	REVISION
C	MI0105938	3-18-15	<b>Active</b>	<b>C</b>
B	MI0100342	4-6-05		
SCALE: 15:1			DR. BY	DATE
DO NOT SCALE DRAWING			AB	8-8-97
TITLE: <b>BF DAMPER</b>			CK. BY	DATE
OUTLINE DRAWING			GJP	8-22-97
<b>BF-3292-000</b>			APP. BY	DATE
SHT 1.1			DCS	8-26-97