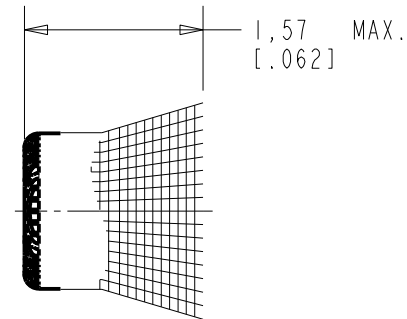
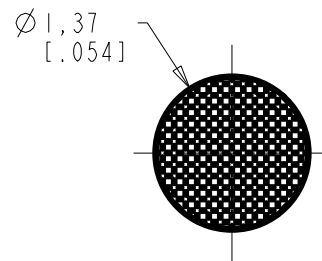


BF-9778-000
SHT 1.1

- (C) NOTE:
1. ACOUSTIC RESISTANCE IS MEASURED WITH ELEMENT INSERTED IN HOLE 1,37 [.054] DIA. X 1.65 [.065] LONG.
 2. ACOUSTICAL RESISTANCE TO BE $2250 \pm 20\% \Omega$ COLOR RED.
 3. ACOUSTIC DAMPING ELEMENTS ARE PACKED 100 PIECES PER BOX.



DIMENSIONS IN MILLIMETERS [INCHES]

KNOWLES ELECTRONICS
ITASCA, ILLINOIS U.S.A.

Revision	C.O. #	Implementation Date	RELEASE LEVEL	REVISION
C	MI0105938	3-18-15	Active	C
B	17520	2-13-91		
SCALE: 15:1			DR. BY	DATE
DO NOT SCALE DRAWING			GJP	5-26-88
TITLE: ACOUSTIC DAMPING ELEMENT			CK. BY	DATE
OUTLINE DRAWING			APP. BY	DATE
			KHW	5-26-88
			BF-9778-000	
			SHT 1.1	