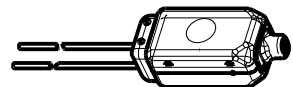
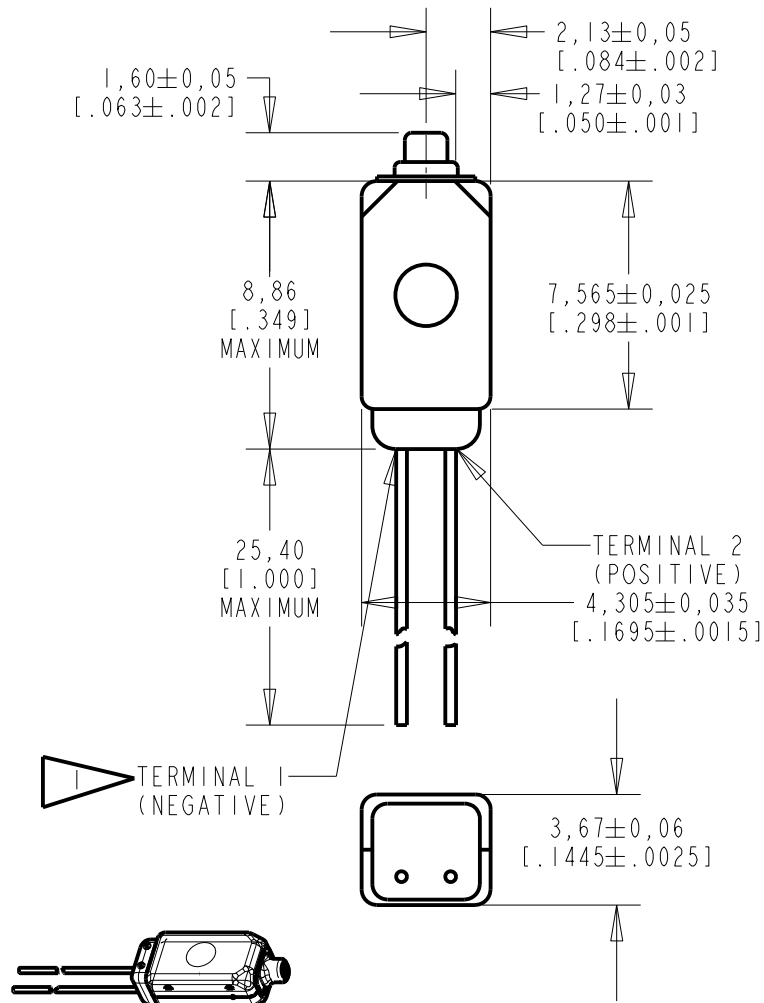


EC-23839-000
SHT 1.1

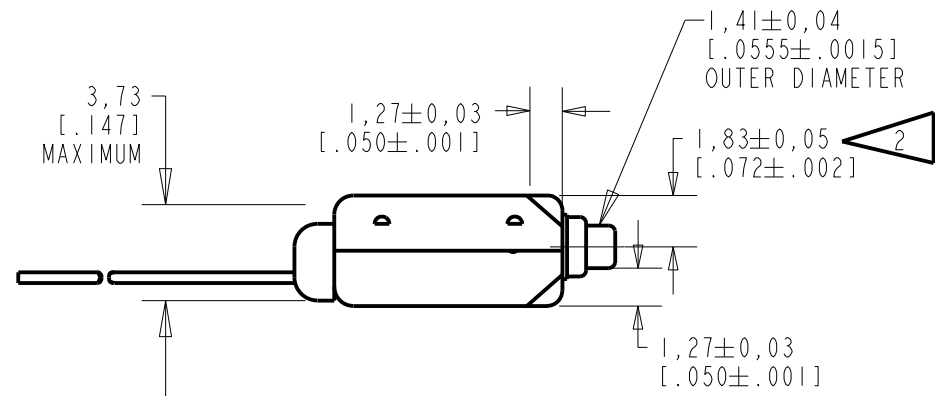


SCALE 2:1
NOMINAL WEIGHT
.42 GRAMS

DIMENSIONS IN MILLIMETERS [INCHES]

NOTES:

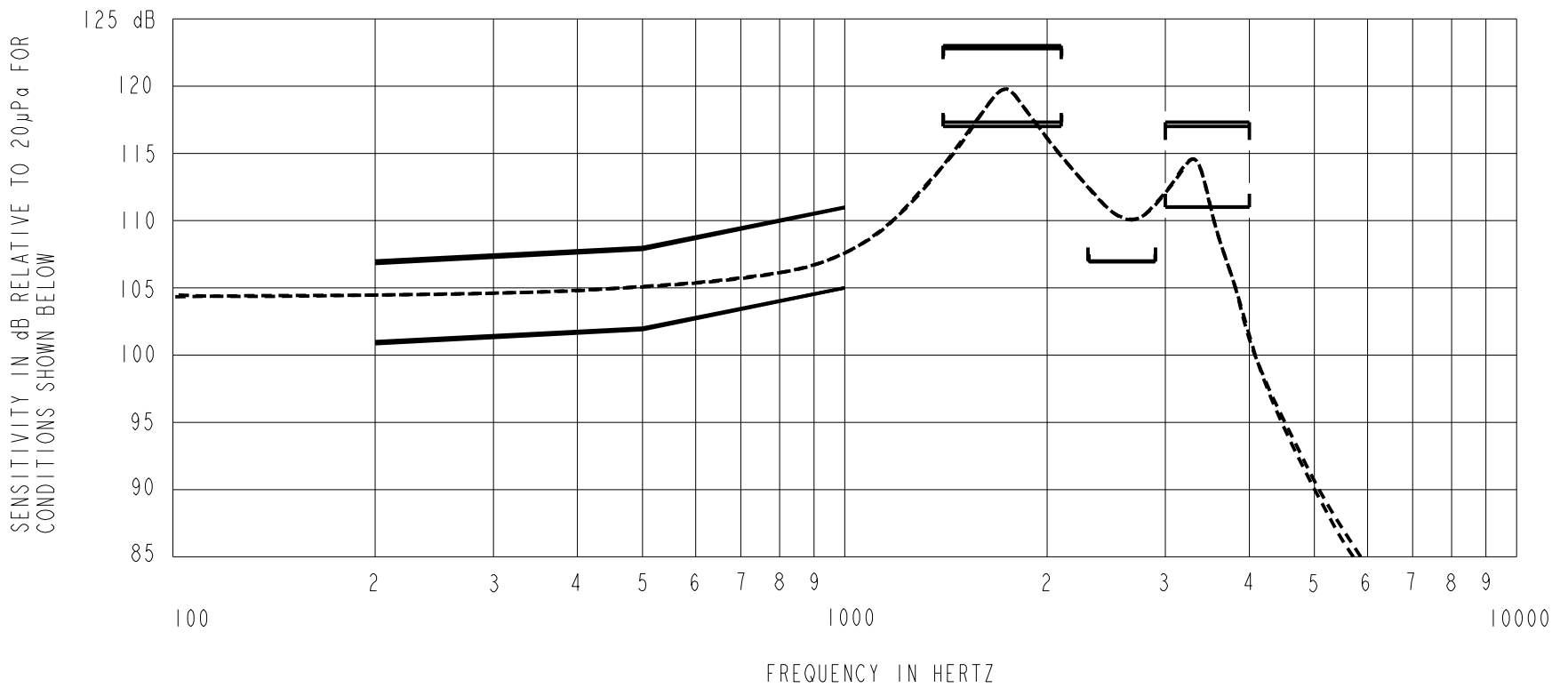
- 1 A POSITIVE GOING VOLTAGE AT TERMINAL 2, RELATIVE TO TERMINAL 1, CAUSES A DECREASE IN PRESSURE AT THE SOUND OUTLET.
- 2 LOCATED FROM TWO SURFACES FOR CUSTOMER CONVENIENCE. ONLY APPLICABLE FROM ONE SURFACE, NOT TO BE USED TOGETHER.



Revision	C.O. #	Implementation Date	RELEASE LEVEL	REVISION
B	CI0115009	7-16-13	Active	B
A	CI0103368	10/28/05		

SCALE: 4:1		DR. BY: DMS	DATE: 10/28/05
DO NOT SCALE DRAWING			
TITLE: RECEIVER WITH LEADS		EC-23839-000	GJP 10/28/05
OUTLINE DRAWING		SHT 1.1	APP. BY: GJP DATE: 10/28/05

KNOWLES ELECTRONICS
ITASCA, ILLINOIS U.S.A.



NOTES:

1. MEASUREMENTS MADE USING 10mm (.394") OF 1mm (.039") ID TUBE CONNECTED TO A SIMULATED ANSI S3.7 TYPE HA-3 COUPLER . (IEC 60318-5).

2. SENSITIVITY

FREQUENCY	MIN.	MAX.
200	101.0	107.0
500	102.0	108.0
1000	105.0	111.0
1400-2100	117.0	123.0
2300-2900	107.0	---
3000-4000	111.0	117.0

3. RESPONSE, IMPEDANCE, AND DISTORTION MEASUREMENTS MADE USING THE ELECTRICAL TEST CONDITIONS SHOWN BELOW.
 4. ELECTRICAL SOURCE IMPEDANCE MUST BE GREATER THAN 20 TIMES 1KHz IMPEDANCE FOR TEST CONDITIONS SHOWN BELOW.
 5. INDIVIDUAL SPECIFICATIONS:

PORT LOCATION	IMPEDANCE OHMS ±15%		DCR @20°C OHMS ±10%	DISTORTION		ELECTRICAL TEST CONDITIONS	
	1KHz	500Hz		MAX. %	FREQ Hz	AC mA RMS	DC mA
12S	400	200	92.0	10	800	1.09	1.55

Revision	C.O. #	Implementation Date	RELEASE LEVEL	REVISION
B	C10115009	7-16-13	Active	B
A	C10103368	10/28/05		

KNOWLES ELECTRONICS
 ITASCA, ILLINOIS U.S.A.

WHEN TEST LIMITS ARE USED TO ESTABLISH INCOMING INSPECTION ACCEPTANCE/REJECTION CRITERIA, CORRELATION OF TEST EQUIPMENT WITH KNOWLES IS ALSO REQUIRED FOR ELIMINATION OF EQUIPMENT AND TEST METHOD VARIATION

TITLE: **RECEIVER WITH LEADS** **EC-23839-000**
 PERFORMANCE SPECIFICATION **SHT 2.1**

DR. BY	DATE
DMS	10/28/05
CK. BY	DATE
GJP	10/28/05
APP. BY	DATE
GJP	10/28/05