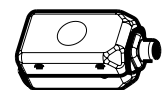
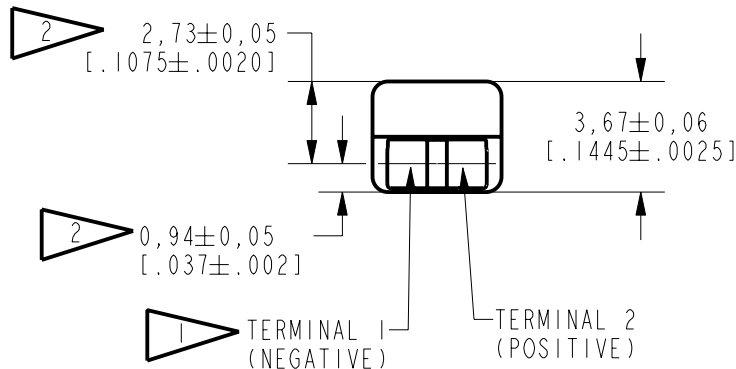
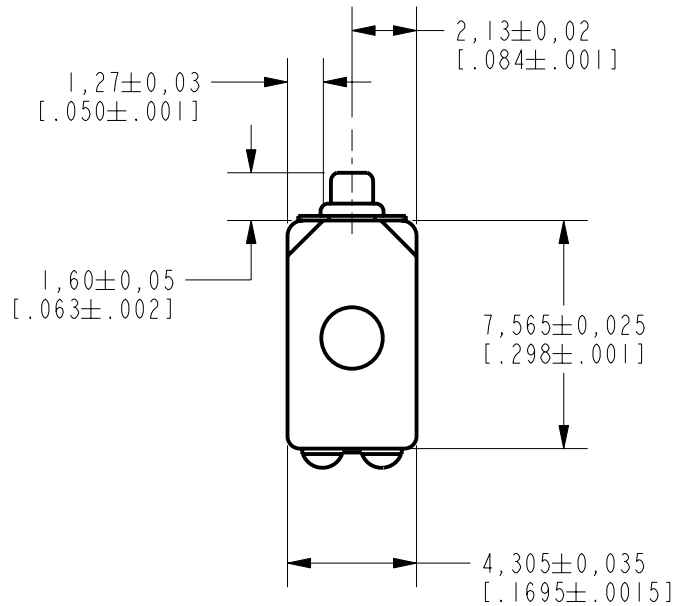


EC-26468-A33
SHT 1.1

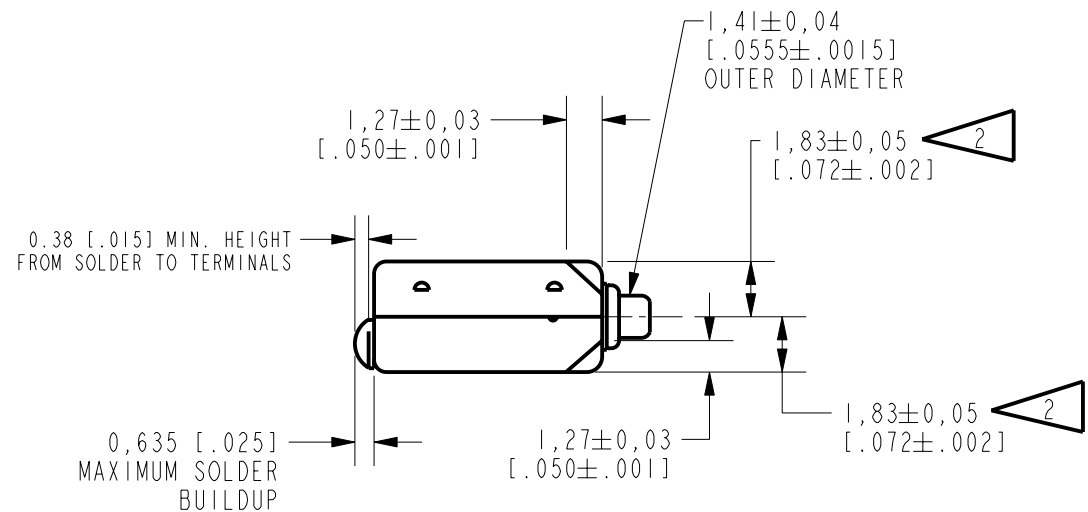


NOMINAL WEIGHT
.42 GRAMS

DIMENSIONS IN MILLIMETERS [INCHES]

NOTES:

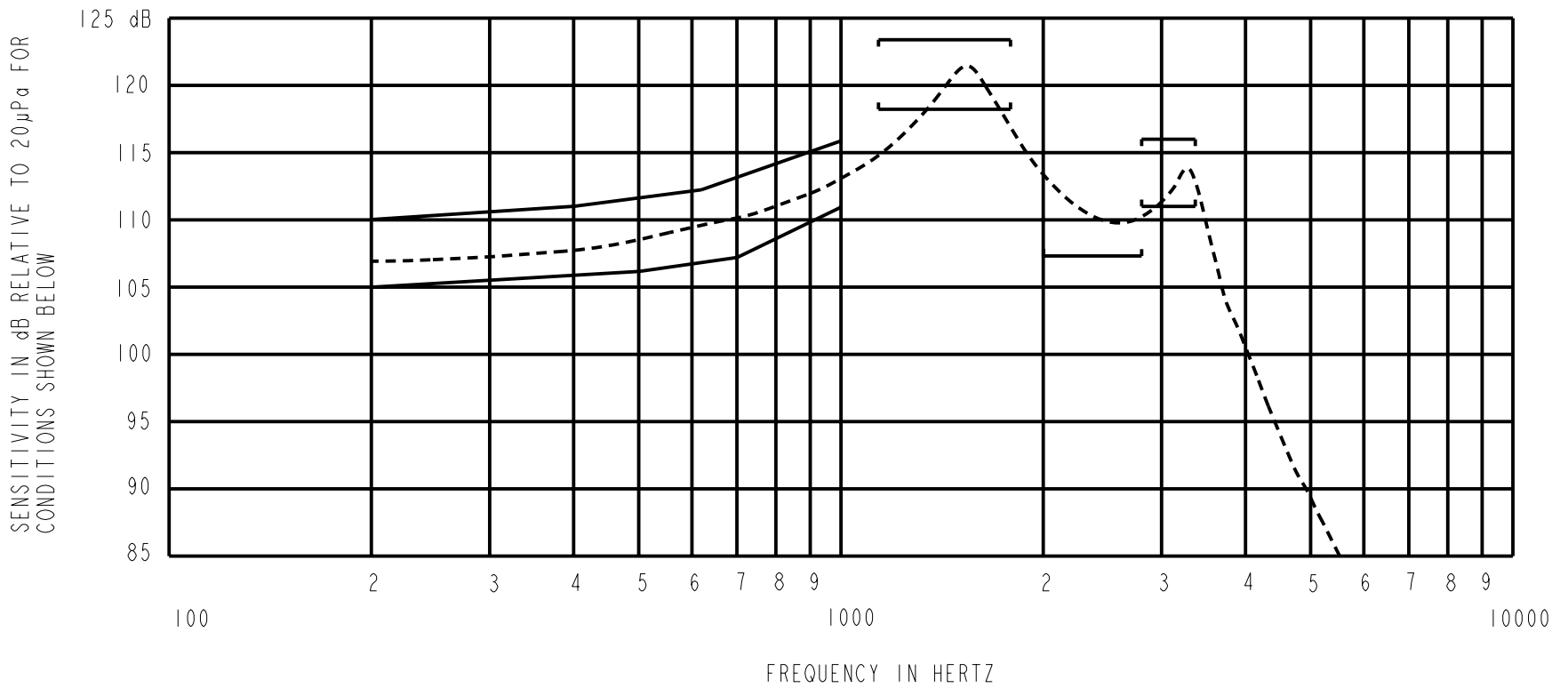
- 1 A POSITIVE GOING VOLTAGE AT TERMINAL 2, RELATIVE TO TERMINAL 1, CAUSES A DECREASE IN PRESSURE AT THE SOUND OUTLET.
- 2 LOCATED FROM TWO SURFACES FOR CUSTOMER CONVENIENCE. ONLY APPLICABLE FROM ONE SURFACE, NOT TO BE USED TOGETHER.



Revision	C.O. #	Implementation Date	RELEASE LEVEL	REVISION
B	C10106330	9-3-07	Released	B
A	C10103463	11-22-05		

SCALE:	4:1	DR. BY	DATE
DO NOT SCALE DRAWING		CRG	11-22-05
TITLE:	RECEIVER	CK. BY	DATE
OUTLINE DRAWING	EC-26468-A33	GJP	11-22-05
	SHT 1.1	APP. BY	DATE
		GJP	11-22-05

KNOWLES ELECTRONICS
ITASCA, ILLINOIS U.S.A.



NOTES:

1. MEASUREMENTS MADE USING 10mm (.394") OF 1mm (.039") ID TUBE CONNECTED TO A SIMULATED ANSI S3.3-1971 TYPE HA-3 COUPLER. (T-3462)

2. SENSITIVITY

FREQUENCY	MIN.	MAX.
200	105.0	110.0
500	106.5	111.5
700	107.5	112.5
1000	111.0	116.0
1200-1800	117.0	123.0
2000-2800	107.0	---
2800-3400	110.5	116.5

- 3. RESPONSE, IMPEDANCE, AND DISTORTION MEASUREMENTS MADE USING THE ELECTRICAL TEST CONDITIONS SHOWN BELOW.
- 4. ELECTRICAL SOURCE IMPEDANCE MUST BE GREATER THAN 20 TIMES 1KHz IMPEDANCE FOR TEST CONDITIONS SHOWN BELOW.
- 5. INDIVIDUAL SPECIFICATIONS:

PORT LOCATION	IMPEDANCE OHMS ±15%		DCR @20°C OHMS ±10%	DISTORTION		ELECTRICAL TEST CONDITIONS	
	1KHz	500Hz		MAX. %	FREQ. Hz	AC mA RMS	DC mA
12S	280	165	110	10	800	1.74	0.0

Revision	C.O. #	Implementation Date	RELEASE LEVEL	REVISION
B	C10106330	9-3-07	Released	B
A	C10103463	11-22-05		

KNOWLES ELECTRONICS
ITASCA, ILLINOIS U.S.A.

WHEN TEST LIMITS ARE USED TO ESTABLISH INCOMING INSPECTION ACCEPTANCE/REJECTION CRITERIA, CORRELATION OF TEST EQUIPMENT WITH KNOWLES IS ALSO REQUIRED FOR ELIMINATION OF EQUIPMENT AND TEST METHOD VARIATION

TITLE: **RECEIVER**
PERFORMANCE SPECIFICATION

EC-26468-A33
SHT 2.1

DR. BY	DATE
CRG	11-22-05
CK. BY	DATE
GJP	11-22-05
APP. BY	DATE
GJP	11-22-05