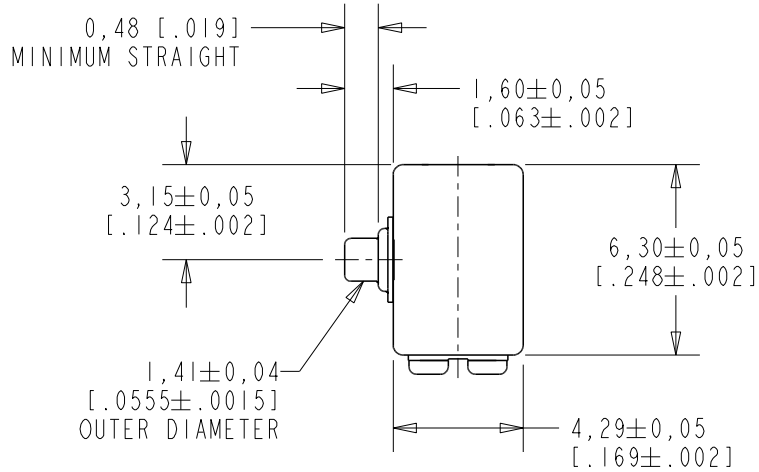


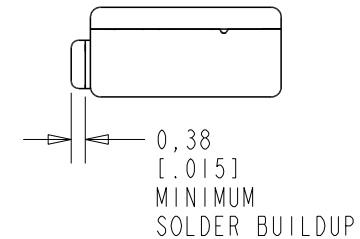
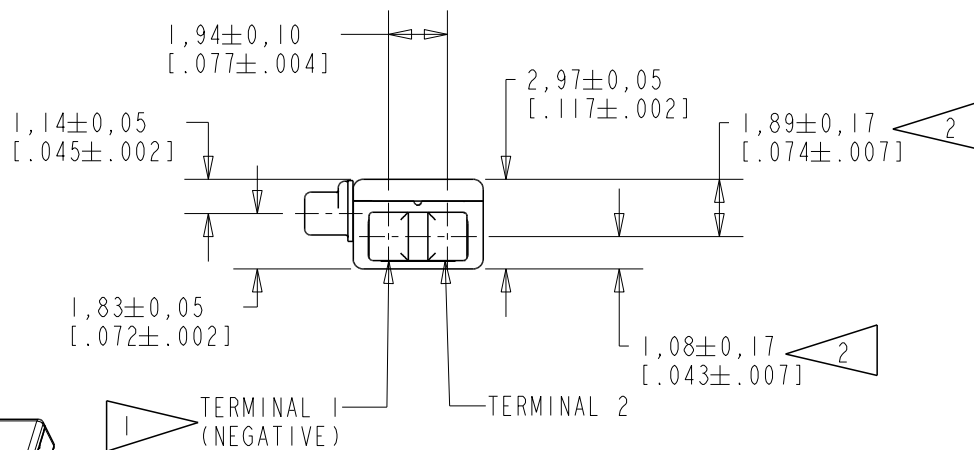
ED-21975-A21

SHT 1.1



NOTE:

- 1 A POSITIVE GOING VOLTAGE AT TERMINAL 2, RELATIVE TO TERMINAL 1, CAUSES A DECREASE IN PRESSURE AT THE SOUND OUTLET.
- 2 LOCATED FROM TWO SURFACES FOR CUSTOMER CONVENIENCE. ONLY APPLICABLE FROM ONE SURFACE, NOT TO BE USED TOGETHER. HORIZONTAL LOCATION FOR TERMINAL CENTERED TO $\pm 0,17$ [.007].



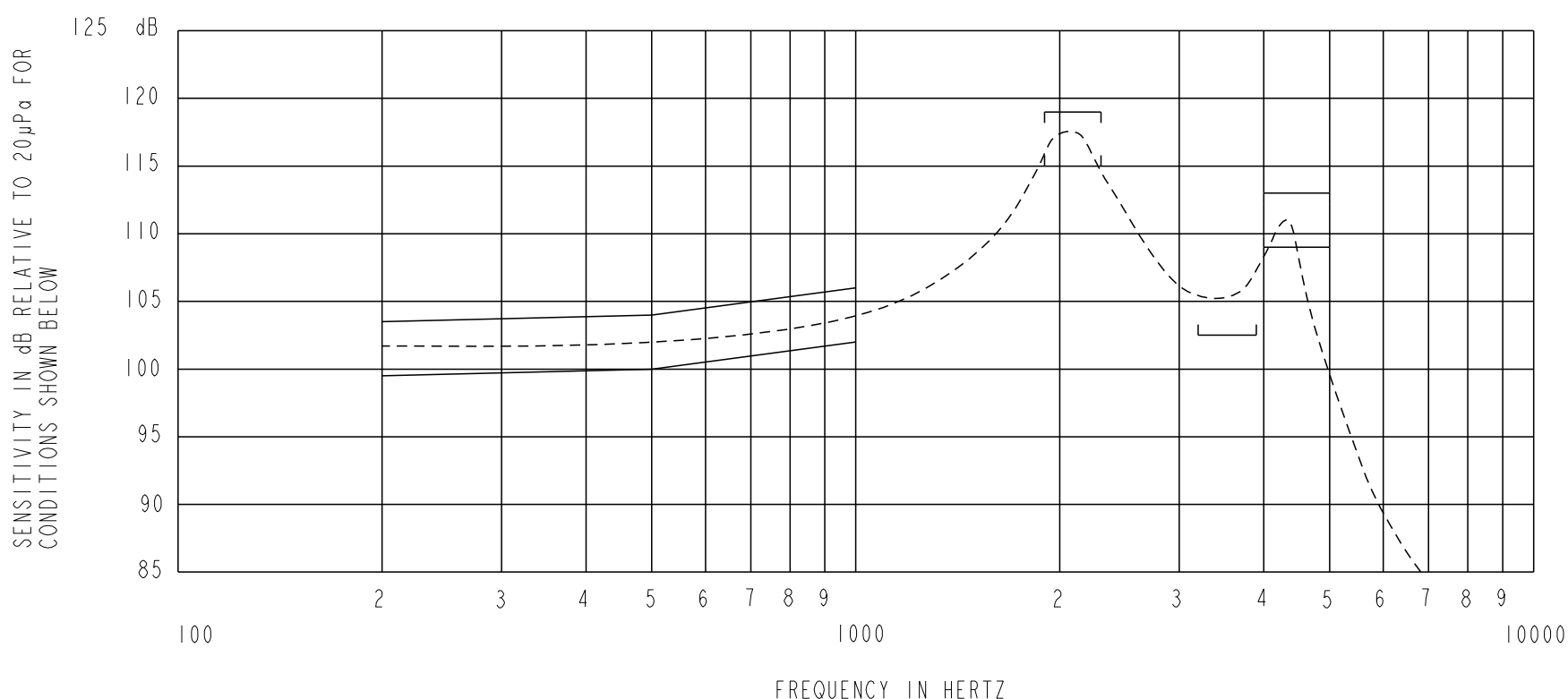
NOMINAL WEIGHT
.31 GRAM

DIMENSIONS IN MILLIMETERS [INCHES]

Revision	C.O. #	Implementation Date	RELEASE LEVEL	REVISION
B	PI0000701	8-30-16	Active	B
A	CI0105948	7-3-07		

SCALE: 4:1		DR. BY	DATE
DO NOT SCALE DRAWING		LSY	7-3-07
TITLE: RECEIVER		CK. BY	DATE
OUTLINE DRAWING		GJP	7-9-07
ED-21975-A21		APP. BY	DATE
SHT 1.1		GJP	7-9-07

KNOWLES CORPORATION



NOTES:

1. MEASUREMENTS MADE USING 10mm (.394") X 1mm (.039") ID TUBE CONNECTED TO A SIMULATED ANSI S3.7 TYPE HA-3 COUPLER. (IEC-60318-5).

2. SENSITIVITY

FREQUENCY	MIN.	MAX.
200	99.5	103.5
500	100.0	104.0
1000	102.0	106.0
1900-2300	115.0	119.0
3200-3900	102.5	---
4000-5000	109.0	113.0

3. RESPONSE, IMPEDANCE, AND DISTORTION MEASUREMENTS MADE USING THE ELECTRICAL TEST CONDITIONS SHOWN BELOW.
4. ELECTRICAL SOURCE IMPEDANCE MUST BE GREATER THAN 20 TIMES 1KHz IMPEDANCE FOR TEST CONDITIONS SHOWN BELOW.
5. INDIVIDUAL SPECIFICATIONS.

PORT LOCATION	IMPEDANCE OHMS ±15%		DCR @20°C OHMS ±10%	DISTORTION		ELECTRICAL TEST CONDITIONS	
	1KHz	500Hz		MAX. %	FREQ Hz	AC mA RMS	DC mA
9C	1450	780	376	5	800	0.50	0.70

6. SUFFIX DESCRIPTIONS:

- 1) ADD SOLDER TO TERMINALS TO MEET A .015" MINIMUM HEIGHT SPEC.
- 2) APPLY ADDITIONAL CEMENT TO THE PERIMETER OF EH TERMINALS AT COVER WELD.

Revision	C.O. #	Implementation Date	RELEASE LEVEL	REVISION
B	PI0000701	8-30-16	Active	B
A	CI0105948	7-3-07		
WHEN TEST LIMITS ARE USED TO ESTABLISH INCOMING INSPECTION ACCEPTANCE/REJECTION CRITERIA, CORRELATION OF TEST EQUIPMENT WITH KNOWLES IS ALSO REQUIRED FOR ELIMINATION OF EQUIPMENT AND TEST METHOD VARIATION				
TITLE: RECEIVER			ED-21975-A21	DR. BY DATE
PERFORMANCE SPECIFICATION			SHT 2.1	LSY 7-3-07
				CK. BY DATE
				GJP 7-9-07
				APP. BY DATE
				GJP 7-9-07

KNOWLES CORPORATION