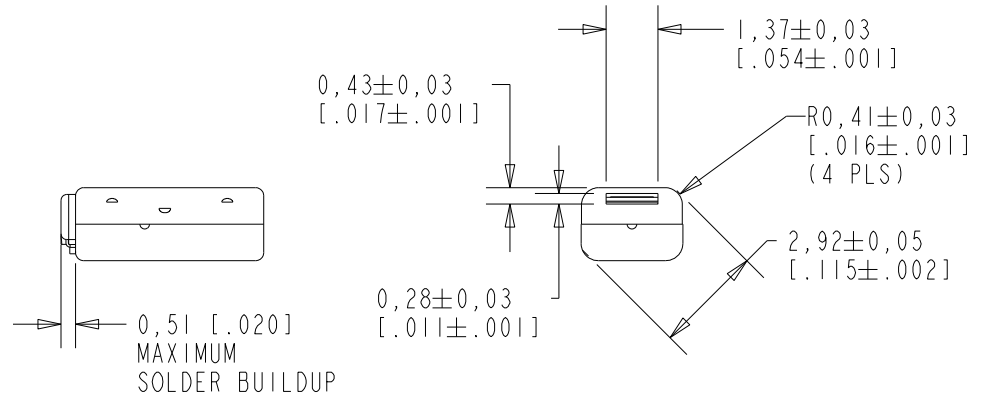
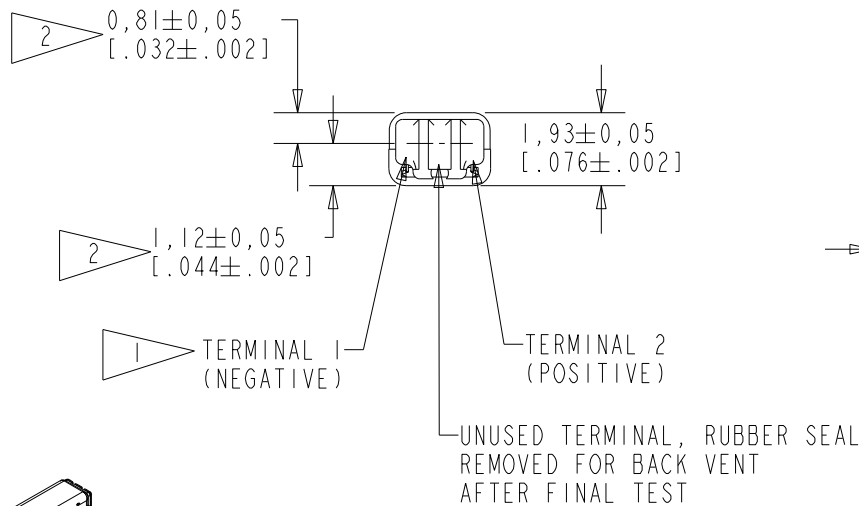
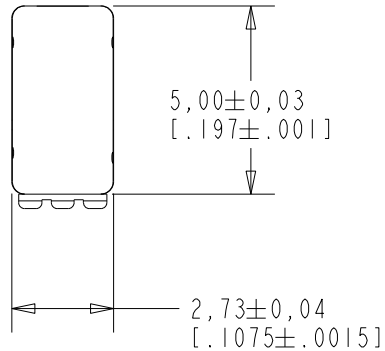


FK-23989-000

SHT 1.1

NOTES:

- 1 A POSITIVE GOING VOLTAGE AT TERMINAL 2, RELATIVE TO TERMINAL 1, CAUSES A DECREASE IN PRESSURE AT THE SOUND OUTLET.
- 2 LOCATED FROM TWO SURFACES FOR CUSTOMER CONVENIENCE. ONLY APPLICABLE FROM ONE SURFACE, NOT TO BE USED TOGETHER.



SCALE 2:1
NOMINAL WEIGHT
.11 GRAMS

DIMENSIONS IN MILLIMETERS [INCHES]

Revision	C.O. #	Implementation Date	RELEASE LEVEL	REVISION
F	PI0000118	3-15-16	Active	F
E	CI0108259P	12-29-08		
D	CI0105758	4-26-07		

SCALE: 5:1		DR. BY	DATE
DO NOT SCALE DRAWING		CRG	2-6-06
TITLE: RECEIVER		FK-23989-000	DATE
OUTLINE DRAWING		GJP	2-8-06
		APP. BY	DATE
		GJP	2-8-06

KNOWLES CORPORATION

AN UNDAMPED AND TUBELESS MAGNETIC BALANCED ARMATURE RECEIVER INTENDED FOR USE IN CIC HEARING INSTRUMENTS OR AS THE LOW FREQUENCY DRIVER IN A HIFI SYSTEM. EXTERNAL BACK VENT IS PROVIDED ON THE CENTER PAD OF TERMINAL.

NO DAMPING

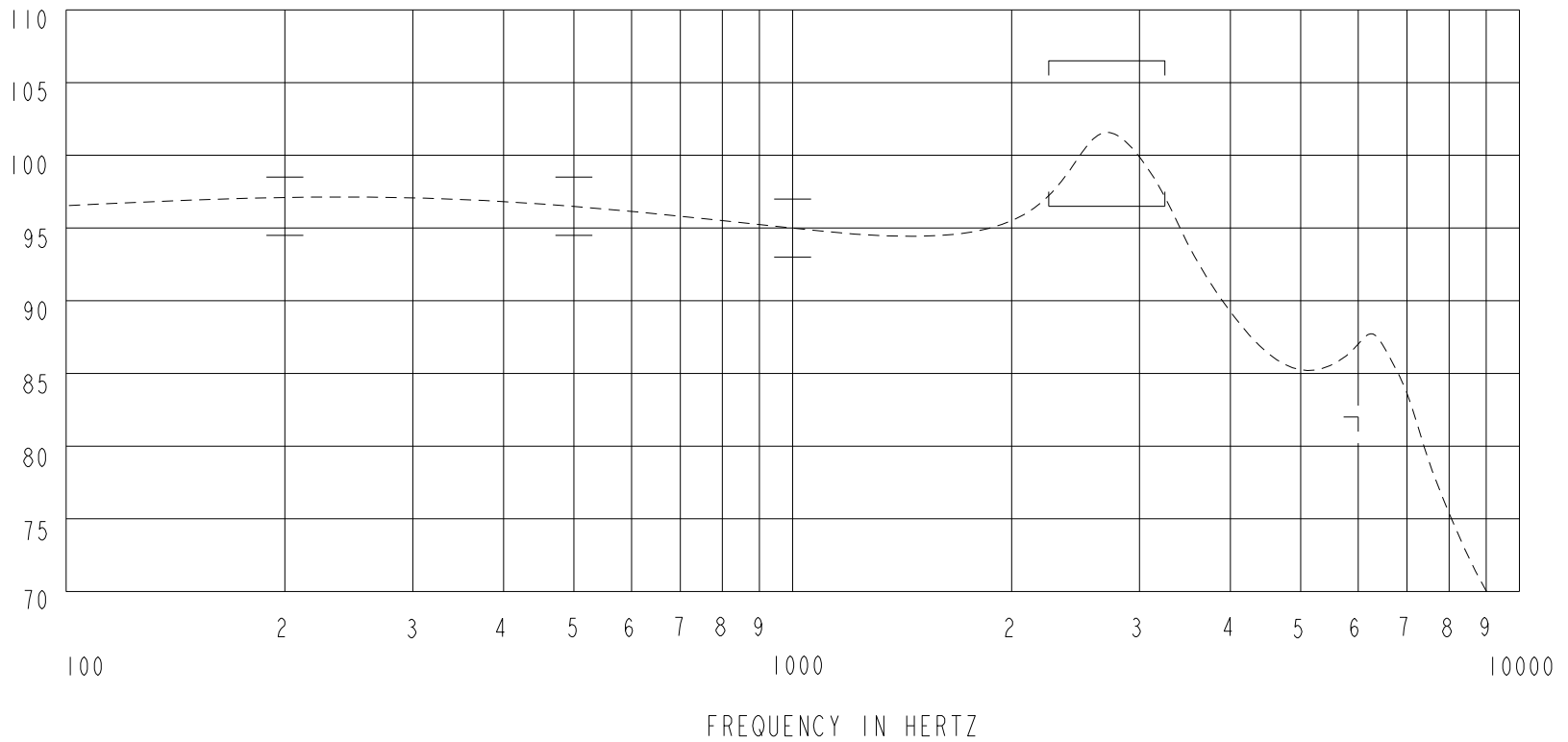
FK-23989-000

SHEET 2.1

NOTE: SPECIFICATIONS FOLLOWED BY AN ASTERISK (*) ARE 100% TESTED.

SENSITIVITY IN dB RELATIVE TO 20μPa FOR CONDITIONS SHOWN BELOW

CONSTANT VOLTAGE DRIVE CONDITIONS (WITH BACK VENT SEALED)



ACOUSTICAL

SENSITIVITY*
 DEVICE WILL PRODUCE THE SPL LISTED BELOW UNDER TEST CONDITIONS DESCRIBED IN TABLE 3.
 NOMINAL SENSITIVITY AT 1kHz IS dB RELATIVE TO 20μPa. ALL OTHER VALUES IN dB RELATIVE TO THE SENSITIVITY AT 1kHz.

FREQUENCY (Hz)	MINIMUM	NOMINAL	MAXIMUM
200	-0.5	+1.5	+3.5
500	-0.5	+1.5	+3.5
1000	-2.0	95.0	+2.0
2250 - 3250	+3.5	+6.5	+9.5
6000	-13.0	---	---

TABLE 1

TOTAL HARMONIC DISTORTION*
 DEVICE WILL NOT EXCEED TOTAL HARMONIC DISTORTION LEVELS LISTED BELOW.

FREQUENCY (Hz)	AC DRIVE (V rms)	DC BIAS (V)	LIMIT (%)
920	0.174	0	5
1380	0.174	0	5
920	0.491	0	10

TABLE 2

TEST CONDITIONS

NOMINAL SOURCE VOLTAGE	0.174 V rms, 0 mA DC BIAS
SOURCE IMPEDANCE	<1 Ohm
TUBING	10mm [.394"] LONG, 1mm [.039"] I.D.
COUPLER CAVITY	2 CM ³ , SIMULATED ANSI S3.7 TYPE HA-3 (IEC 60318-5)

TABLE 3

ELECTRICAL

DC RESISTANCE	100 Ohms ± 10%*
IMPEDANCE @ 500 Hz	112 Ohms ± 15%*
IMPEDANCE @ 1kHz	145 Ohms ± 15%*

TABLE 4

ISOLATION: CASE WILL BE ELECTRICALLY ISOLATED FROM THE COIL CIRCUIT.*

MECHANICAL

PORT LOCATION: 12N

SOLDER TYPE: SAC305

TEMPERATURE:

OPERATING: SENSITIVITY WILL NOT VARY MORE THAN +1/-3 dB FROM -17°C TO 63°C

STORAGE: -40°C TO 63°C

Revision	C.O. #	Implementation Date	RELEASE LEVEL	REVISION
F	PI0000118	3-15-16	Active	F
E	CI0108259P	12-29-08		
D	CI0105758	4-26-07		

KNOWLES CORPORATION

WHEN TEST LIMITS ARE USED TO ESTABLISH INCOMING INSPECTION ACCEPTANCE/REJECTION CRITERIA, CORRELATION OF TEST EQUIPMENT WITH KNOWLES IS ALSO REQUIRED FOR ELIMINATION OF EQUIPMENT AND TEST METHOD VARIATION

TITLE: RECEIVER
 PERFORMANCE SPECIFICATION

FK-23989-000
 SHT 2.1

DR. BY	DATE
CRG	2-6-06
CK. BY	DATE
GJP	2-8-06
APP. BY	DATE
GJP	2-8-06