

# Dual Diaphragm Balanced Armature Driver



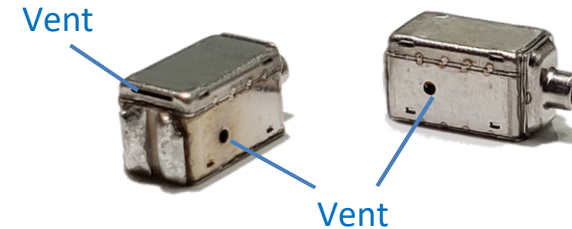
Premium Audio

RLQ-34240-000

Full-Range Driver, High-Output

## Features

- . Proprietary dual diaphragm delivers best-in-class output / size ratio
- . Woofer / midrange with low THD in multi-driver IEMs
- . Full-range with high output in TWS & single-driver earphones



## Typical Performance at 1kHz

Impedance	57	Ohms
Sensitivity to 100mV	111	dB SPL
Sensitivity to 1mW	120	dB SPL
Max SPL <sup>a</sup>	126	dB SPL
THD at 94dB SPL	0.3	%
THD at 100dB SPL	0.4	%

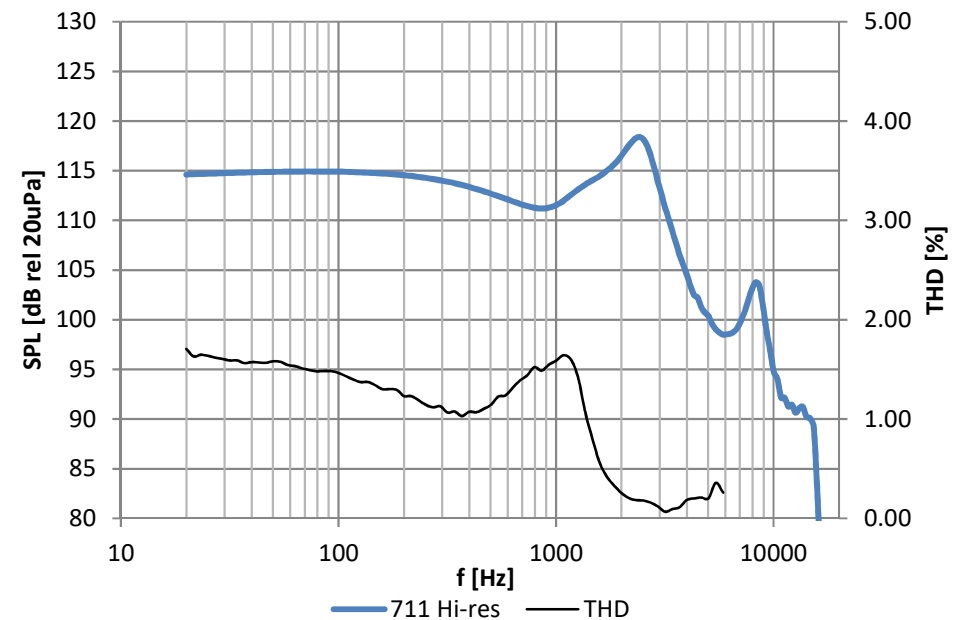
a) SPL at 10% THD

## Testing Condition

using 100mV rms drive signal

- 711 Hi-RES GRAS 403
- THD

## Frequency Response and THD



# Dual Diaphragm Balanced Armature Driver

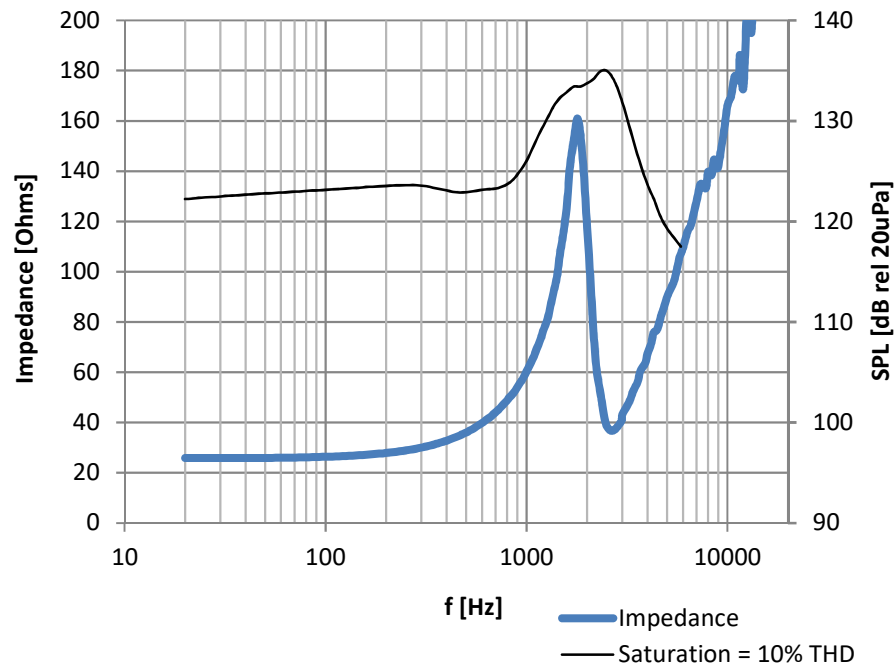


Premium Audio

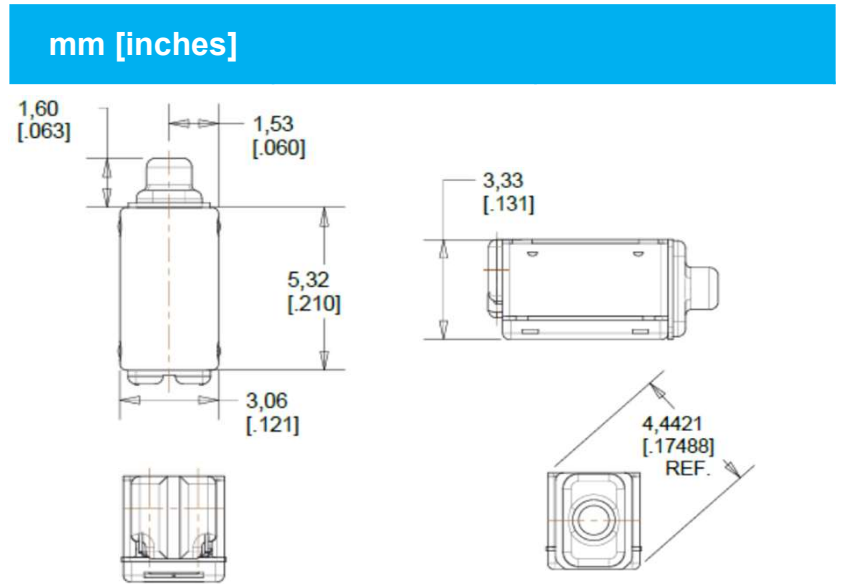
RLQ-34240-000

Full-Range Driver, High-Output

## Impedance and Saturation SPL



## Outline Drawing



## Notes

- Ask about custom assembly options (lead wires, customer-specified materials, etc.)
- To prevent heat damage, follow soldering guidelines in application note AN13 (knowles.com)
- Measurement data for reference only. Refer to model specification for full dimensions and performance.